

COOLING CAPACITY: 18,000 - 60,000 BTU/H  
HEATING CAPACITY: 18,000 - 60,000 BTU/H

## ENERGY-EFFICIENT SPLIT SYSTEM HEAT PUMP UP TO 15 SEER & 9.0 HSPF



### ■ Contents

Nomenclature.....	2
Product Specifications.....	3
Expanded Cooling Data .....	4
Expanded Heating Data .....	20
Performance Data .....	22
AHRI Ratings (see note).....	24
Wiring Diagram .....	25
Dimensions .....	26
Accessories .....	26

### ■ Standard Features

- Energy-efficient scroll compressor
- High-density foam compressor sound blanket
- Time-delay technology to ensure quiet reliable defrost
- Factory-installed bi-flow liquid line filter drier
- Factory-installed suction line accumulator
- Factory-installed compressor crankcase heater
- Factory-installed high capacity muffler
- Single-speed condenser fan motor
- Copper tube/enhanced aluminum fin coil
- High- and low-pressure switches
- AHRI Certified; ETL Listed

### ■ Cabinet Features

- Custom Nickel Gray powder-paint finish
- 500-hour salt-spray tested
- Wire fan discharge grille
- Steel louver coil guard
- Top and side maintenance access
- Single-panel access to controls with space provided for field-installed accessories
- Service valves with sweat connections and easy access to gauge ports
- When properly anchored, meets the 2017 Florida Building Code unit integrity requirements for hurricane-type winds (Anchor bracket kits available.)






ENERGY STAR® and the ENERGY STAR mark are registered trademarks owned by the U.S. Environmental Protection Agency. ENERGY STAR products are third-party certified by an EPA-recognized Certification Body. Products that earn the ENERGY STAR prevent greenhouse gas emissions by meeting strict energy efficiency guidelines set by the U.S. Environmental Protection Agency.

This product meets ENERGY STAR requirements when appropriate coil components are used. Ask your contractor for details or visit [www.energystar.gov](http://www.energystar.gov).



\* Complete warranty details available from your local dealer or at [www.daikincomfort.com](http://www.daikincomfort.com). To receive the 6-Year Unit Replacement Limited Warranty and 12-Year Parts Limited Warranty, online registration must be completed within 60 days of installation. Additional requirements for annual maintenance are required for the Unit Replacement Limited Warranty. Online registration and some of the additional requirements are not required in California or Quebec.

	D	Z	14	S	A	036	3	A	A	
	1	2	3,4	5	6	7,8,9	10	11	12	
<b>Brand</b>	D - Daikin									<b>Engineering</b>
										Major & Minor revisions * Not used for inventory control.
<b>Type</b>	X - AC R-410A Z - HP R-410A									<b>Voltage</b>
										1 - 208/230 V Single-Phase 60 Hz
<b>SEER</b>	13 - 13 SEER    18 - 18 SEER 14 - 14 SEER    20 - 20 SEER 16 - 16 SEER									<b>Nominal Tonnage</b>
										018 - 1½ tons    042 - 3½ tons 024 - 2 tons    048 - 4 tons 030 - 2½ tons    060 - 5 tons 036 - 3 tons
<b>Compressor</b>	S - Single Stage T - Two Stage									<b>Feature Set</b>
										A - Base    D - Deluxe C - Communicating    N - Nominal

	DZ14SA 0181K*	DZ14SA 0241K*	DZ14SA 0301K*	DZ14SA 0361K*	DZ14SA 0421K*	DZ14SA 0481K*	DZ14SA 0491K*	DZ14SA 0601K*
<b>NOMINAL CAPACITIES</b>								
Cooling (BTU/h)	18,000	24,000	30,000	36,000	42,000	48,000	48,000	60,000
Heating (BTU/h)	18,000	24,000	30,000	36,000	42,000	48,000	48,000	60,000
SEER / EER	14/11.5	14/11.5	14/11.5	14/11.5	14/11.5	14/11.5	14/11.5	14/11.5
Decibels	71	71	73	73	74	74	75	75
<b>COMPRESSOR</b>								
RLA	9.0	10.9	13.5	15.4	16.7	18.5	19.9	26.4
LRA	47.5	62.9	72.5	83.9	109.0	124.0	109.0	134.0
Type	Scroll	Scroll	Scroll	Scroll	Scroll	Scroll	Scroll	Scroll
<b>CONDENSER FAN MOTOR</b>								
Horsepower	1/6	1/6	1/6	1/6	1/6	1/4	1/4	1/4
FLA	0.95	0.95	0.95	0.95	1.1	1.3	1.5	1.3
<b>REFRIGERATION SYSTEM</b>								
Refrigerant Line Size <sup>1</sup>								
Liquid Line Size ("O.D.)	3/8"	3/8"	3/8"	3/8"	3/8"	3/8"	3/8"	3/8"
Suction Line Size ("O.D.)	3/4"	3/4"	3/4"	7/8"	1 1/8"	1 1/8"	1 1/8"	1 1/8"
Refrigerant Connection Size								
Liquid Valve Size ("O.D.)	3/8"	3/8"	3/8"	3/8"	3/8"	3/8"	3/8"	3/8"
Suction Valve Size ("O.D.)	3/4"	3/4"	3/4"	3/4"	7/8"	7/8"	7/8"	7/8"
Valve Connection Type	Sweat	Sweat	Sweat	Sweat	Sweat	Sweat	Sweat	Sweat
Refrigerant Charge (oz.)	108	108	108	115	153	157	192	205
<b>ELECTRICAL DATA</b>								
Volts/Phase (60 Hz)	208-230/1	208-230/1	208-230/1	208-230/1	208-230/1	208-230/1	208-230/1	208-230/1
Minimum Circuit Ampacity <sup>2</sup>	12.2	14.6	17.8	20.2	22.0	24.4	26.4	34.3
Max. Overcurrent Protection <sup>3</sup>	20	25	30	35	35	40	45	60
Min / Max Volts	197 / 253	197 / 253	197 / 253	197 / 253	197 / 253	197 / 253	197 / 253	197 / 253
Electrical Conduit Size	1/2" or 3/4"	1/2" or 3/4"	1/2" or 3/4"	1/2" or 3/4"	1/2" or 3/4"	1/2" or 3/4"	1/2" or 3/4"	1/2" or 3/4"
<b>EQUIPMENT WEIGHT (LBS)</b>	143	143	171	173	191	226	273	277
<b>SHIP WEIGHT (LBS)</b>	154	154	182	184	207	237	288	292
<b>ENERGY STAR® CERTIFIED</b>	NO				NO	NO	NO	NO

<sup>1</sup> Tested and rated in accordance with AHRI Standard 210/240

<sup>2</sup> Wire size should be determined in accordance with National Electrical Codes; extensive wire runs will require larger wire sizes

<sup>3</sup> Must use time-delay fuses or HACR-type circuit breakers of the same size as noted.

**NOTES**

- Always check the S&R plate for electrical data on the unit being installed.
- Installer will need to supply 3/8" to 1 1/8" adapters for suction line connections.
- Unit is charged with refrigerant for 15' of 3/8" liquid line. System charge must be adjusted per Installation Instructions Final Charge Procedure.
- Installation of these units may require the specified TXV Kit to be installed on the indoor coil.  
THE SPECIFIED TXV IS DETERMINED BY THE OUTDOOR UNIT NOT THE INDOOR COIL.

**ENERGY STAR NOTE**

This product meets ENERGY STAR requirements when appropriate coil components are used. Ask your contractor for details or visit [www.energystar.gov](http://www.energystar.gov). The [www.energystar.gov](http://www.energystar.gov) website provides up-to-date system combinations certified to meet ENERGY STAR requirements. See Page 24 for all ENERGY STAR certified combinations as of this document's revision date.

IDB	AIRFLOW	OUTDOOR AMBIENT TEMPERATURE																							
		65°F				75°F				85°F				95°F				105°F				115°F			
		59	63	67	71	59	63	67	71	59	63	67	71	59	63	67	71	59	63	67	71	59	63	67	71
70	MBh	17.9	18.1	18.7	-	17.7	18.0	18.5	-	17.3	17.5	18.0	-	16.4	16.7	17.2	-	15.5	15.7	16.3	-	14.6	14.8	15.4	-
	S/T	0.62	0.54	0.40	-	0.62	0.55	0.40	-	0.65	0.57	0.43	-	1.00	0.59	0.45	-	1.00	0.61	0.47	-	1.00	0.67	0.53	-
	ΔT	19	17	14	-	19	17	14	-	19	18	14	-	19	17	14	-	19	17	14	-	20	18	15	-
	kW	1.06	1.05	1.05	-	1.17	1.17	1.17	-	1.30	1.30	1.30	-	1.45	1.45	1.44	-	1.61	1.60	1.60	-	1.79	1.79	1.79	-
	Amps	4.0	4.0	4.0	-	4.5	4.5	4.5	-	5.1	5.1	5.1	-	5.8	5.8	5.8	-	6.5	6.5	6.5	-	7.4	7.4	7.4	-
	HI PR	244	245	247	-	283	284	286	-	323	325	326	-	367	368	370	-	414	415	417	-	464	465	467	-
	LO PR	125	126	129	-	132	134	137	-	139	141	144	-	145	146	149	-	150	152	155	-	157	159	162	-
	MBh	18.1	18.4	18.9	-	18.0	18.2	18.8	-	17.5	17.8	18.3	-	16.7	17.0	17.5	-	15.7	16.0	16.5	-	14.8	15.1	15.6	-
	S/T	0.69	0.61	0.47	-	0.69	0.62	0.48	-	0.72	0.64	0.50	-	1.00	0.66	0.52	-	1.00	0.69	0.54	-	1.00	0.74	0.60	-
	ΔT	18	16	13	-	18	16	13	-	18	16	13	-	18	16	13	-	18	16	13	-	19	17	14	-
kW	1.06	1.06	1.06	-	1.18	1.18	1.18	-	1.31	1.31	1.31	-	1.45	1.45	1.45	-	1.61	1.61	1.61	-	1.80	1.80	1.80	-	
Amps	4.0	4.0	4.0	-	4.6	4.6	4.6	-	5.2	5.2	5.2	-	5.8	5.8	5.8	-	6.6	6.6	6.5	-	7.4	7.4	7.4	-	
HI PR	247	248	250	-	285	286	288	-	326	327	329	-	369	370	372	-	416	417	419	-	466	468	469	-	
LO PR	127	128	131	-	134	136	139	-	141	143	146	-	147	148	151	-	152	154	157	-	159	161	164	-	
MBh	18.4	18.6	19.2	-	18.2	18.5	19.0	-	17.8	18.0	18.5	-	16.9	17.2	17.7	-	16.0	16.2	16.8	-	15.1	15.3	15.9	-	
S/T	0.72	0.64	0.50	-	0.73	0.65	0.51	-	0.75	0.67	0.53	-	1.00	0.69	0.55	-	1.00	0.72	0.58	-	1.00	0.77	0.63	-	
ΔT	17	16	12	-	17	15	12	-	17	16	12	-	17	15	12	-	17	15	12	-	18	16	13	-	
kW	1.07	1.07	1.06	-	1.18	1.18	1.18	-	1.32	1.31	1.31	-	1.46	1.46	1.46	-	1.62	1.62	1.61	-	1.80	1.80	1.80	-	
Amps	4.1	4.1	4.0	-	4.6	4.6	4.6	-	5.2	5.2	5.2	-	5.8	5.8	5.8	-	6.6	6.6	6.6	-	7.4	7.4	7.4	-	
HI PR	248	250	251	-	287	288	290	-	328	329	330	-	371	372	374	-	418	419	421	-	468	469	471	-	
LO PR	128	130	133	-	136	138	141	-	143	144	147	-	148	150	153	-	154	155	159	-	161	162	166	-	

75	MBh	17.9	18.1	18.7	19.5	17.7	18.0	18.5	19.3	17.3	17.5	18.1	18.9	16.5	16.7	17.2	18.1	15.5	15.7	16.3	17.1	14.6	14.8	15.4	16.2
	S/T	0.75	0.67	0.53	0.38	0.76	0.68	0.54	0.39	1.00	0.70	0.56	0.42	1.00	0.72	0.58	0.44	1.00	0.75	0.61	0.46	1.00	1.00	0.66	0.51
	ΔT	23	21	18	15	23	21	18	15	23	22	18	15	23	21	18	15	23	21	18	14	24	22	19	15
	kW	1.05	1.05	1.05	1.06	1.17	1.17	1.17	1.18	1.30	1.30	1.30	1.31	1.45	1.45	1.44	1.45	1.61	1.60	1.60	1.61	1.79	1.79	1.79	1.80
	Amps	4.0	4.0	4.0	4.0	4.5	4.5	4.5	4.6	5.1	5.1	5.1	5.2	5.8	5.8	5.8	5.8	6.5	6.5	6.5	6.5	7.4	7.4	7.4	7.4
	HI PR	245	246	247	252	283	284	286	290	324	325	326	331	367	368	370	374	414	415	417	421	464	465	467	471
	LO PR	125	126	129	135	132	134	137	142	139	141	144	149	145	146	149	155	150	152	155	160	157	159	162	167
	MBh	18.2	18.4	18.9	19.8	18.0	18.2	18.8	19.6	17.5	17.8	18.3	19.1	16.7	17.0	17.5	18.3	15.7	16.0	16.5	17.3	14.8	15.1	15.6	16.4
	S/T	0.82	0.74	0.60	0.46	1.00	0.75	0.61	0.46	1.00	0.78	0.64	0.49	1.00	0.80	0.66	0.51	1.00	0.82	0.68	0.53	1.00	1.00	0.73	0.58
	ΔT	22	20	17	13	22	20	17	13	22	20	17	14	22	20	17	13	22	20	17	13	23	21	18	14
kW	1.06	1.06	1.06	1.07	1.18	1.18	1.18	1.19	1.31	1.31	1.31	1.32	1.45	1.45	1.45	1.46	1.61	1.61	1.61	1.62	1.80	1.80	1.80	1.80	
Amps	4.0	4.0	4.0	4.1	4.6	4.6	4.6	4.6	5.2	5.2	5.2	5.2	5.8	5.8	5.8	5.9	6.6	6.5	6.5	6.6	7.4	7.4	7.4	7.4	
HI PR	247	248	250	254	286	287	288	293	326	327	329	333	370	371	372	377	417	418	419	424	467	468	469	474	
LO PR	127	128	132	137	134	136	139	144	141	143	146	151	147	148	151	157	152	154	157	162	159	161	164	169	
MBh	18.4	18.6	19.2	20.0	18.2	18.5	19.0	19.8	17.8	18.0	18.5	19.4	17.0	17.2	17.7	18.6	16.0	16.2	16.8	17.6	15.1	15.3	15.9	16.7	
S/T	0.85	0.77	0.63	0.49	1.00	0.78	0.64	0.49	1.00	0.81	0.67	0.52	1.00	0.83	0.69	0.54	1.00	1.00	0.71	0.56	1.00	1.00	0.76	0.62	
ΔT	21	19	16	13	21	19	16	13	21	20	16	13	21	19	16	13	21	19	16	12	22	20	17	13	
kW	1.07	1.06	1.06	1.07	1.18	1.18	1.18	1.19	1.32	1.31	1.31	1.32	1.46	1.46	1.45	1.46	1.62	1.62	1.61	1.62	1.80	1.80	1.80	1.81	
Amps	4.1	4.0	4.0	4.1	4.6	4.6	4.6	4.6	5.2	5.2	5.2	5.2	5.8	5.8	5.8	5.9	6.6	6.6	6.6	6.6	7.4	7.4	7.4	7.5	
HI PR	249	250	251	256	287	288	290	294	328	329	331	335	371	372	374	378	418	419	421	425	468	469	471	475	
LO PR	129	130	133	139	136	138	141	146	143	144	147	153	148	150	153	158	154	155	159	164	161	162	166	171	

IDB: Entering Indoor Dry Bulb Temperature  
 High and low pressures are measured at the liquid and suction service valves.  
 Shaded area reflects ACCA (TVA) Rating Conditions.  
 kW = Total system power  
 Amps = Outdoor unit amps (compressor + fan)

IDB	AIRFLOW	OUTDOOR AMBIENT TEMPERATURE																									
		65°F				75°F				85°F				95°F				105°F				115°F					
		59	63	67	71	59	63	67	71	59	63	67	71	59	63	67	71	59	63	67	71	59	63	67	71		
80	525	MBh	18.0	18.2	18.8	19.6	17.8	18.1	18.6	19.4	17.4	17.6	18.1	19.0	16.6	16.8	17.3	18.2	15.6	15.8	16.4	17.2	14.7	14.9	15.5	16.3	
		S/T	1.00	0.80	0.66	0.51	1.00	0.81	0.67	0.52	1.00	0.83	0.69	0.55	1.00	1.00	0.71	0.57	1.00	1.00	0.74	0.59	1.00	1.00	0.79	0.64	
	610	ΔT	27	25	22	19	27	25	22	19	27	25	22	19	27	25	22	19	27	25	22	18	28	26	23	19	
		kW	1.06	1.05	1.05	1.06	1.17	1.17	1.17	1.18	1.30	1.30	1.30	1.31	1.45	1.45	1.44	1.45	1.61	1.60	1.60	1.61	1.79	1.79	1.79	1.80	
	675	Amps	4.0	4.0	4.0	4.0	4.5	4.5	4.5	4.6	5.1	5.1	5.1	5.2	5.8	5.8	5.8	5.8	6.5	6.5	6.5	6.6	7.4	7.4	7.4	7.4	
		HI PR	245	246	248	252	284	285	286	291	324	325	327	331	368	369	370	375	415	416	417	422	465	466	468	472	
	85	525	LO PR	125	127	130	135	133	134	138	143	140	141	144	150	145	147	150	155	151	152	155	161	158	159	162	168
			MBh	18.2	18.5	19.0	19.8	18.1	18.3	18.9	19.7	17.6	17.9	18.4	19.2	16.8	17.1	17.6	18.4	15.8	16.1	16.6	17.4	14.9	15.2	15.7	16.5
		610	S/T	1.00	0.87	0.73	0.59	1.00	0.88	0.74	0.59	1.00	0.91	0.77	0.62	1.00	1.00	0.79	0.64	1.00	1.00	0.81	0.66	1.00	1.00	0.86	0.71
			ΔT	26	24	21	17	26	24	21	17	26	24	21	18	26	24	21	17	26	24	20	17	27	25	22	18
675		kW	1.06	1.06	1.06	1.07	1.18	1.18	1.18	1.19	1.31	1.31	1.31	1.32	1.45	1.45	1.45	1.46	1.61	1.61	1.61	1.62	1.80	1.80	1.80	1.81	
		Amps	4.0	4.0	4.0	4.1	4.6	4.6	4.6	4.6	5.2	5.2	5.2	5.2	5.8	5.8	5.8	5.9	6.6	6.6	6.6	6.6	7.4	7.4	7.4	7.4	
85		HI PR	247	248	250	254	286	287	289	293	326	328	329	334	370	371	373	377	417	418	420	424	467	468	470	474	
		LO PR	127	129	132	137	135	136	140	145	142	143	146	152	147	149	152	157	153	154	157	163	160	161	164	170	
85		525	MBh	18.5	18.7	19.3	20.1	18.3	18.6	19.1	19.9	17.9	18.1	18.6	19.5	17.0	17.3	17.8	18.7	16.1	16.3	16.9	17.7	15.2	15.4	16.0	16.8
			S/T	1.00	0.90	0.76	0.62	1.00	0.91	0.77	0.62	1.00	0.94	0.80	0.65	1.00	1.00	0.82	0.67	1.00	1.00	0.84	0.69	1.00	1.00	0.89	0.74
	610	ΔT	25	23	20	17	25	23	20	17	25	24	20	17	25	23	20	17	25	23	20	16	26	24	21	17	
		kW	1.07	1.07	1.06	1.07	1.18	1.18	1.18	1.19	1.32	1.31	1.31	1.32	1.46	1.46	1.46	1.46	1.62	1.62	1.61	1.62	1.80	1.80	1.80	1.81	
	675	Amps	4.1	4.1	4.0	4.1	4.6	4.6	4.6	4.6	5.2	5.2	5.2	5.2	5.8	5.8	5.8	5.9	6.6	6.6	6.6	6.6	7.4	7.4	7.4	7.5	
		HI PR	249	250	252	256	288	289	291	295	328	329	331	335	372	373	375	379	419	420	422	426	469	470	472	476	
	85	525	LO PR	127	129	132	137	135	136	140	145	143	145	148	153	149	150	154	159	154	156	159	165	161	163	166	171
			MBh	18.5	18.8	19.3	20.2	18.4	18.6	19.2	20.0	17.9	18.2	18.7	19.5	17.1	17.4	17.9	18.7	16.1	16.4	16.9	17.7	15.2	15.5	16.0	16.8
		610	S/T	1.00	0.98	0.84	0.69	1.00	1.00	0.84	0.70	1.00	1.00	0.87	0.72	1.00	1.00	0.89	0.74	1.00	1.00	1.00	0.77	1.00	1.00	1.00	0.82
			ΔT	29	28	24	21	29	28	24	21	30	28	24	21	29	27	24	21	29	27	24	21	30	28	25	22
675		kW	1.06	1.06	1.06	1.07	1.18	1.18	1.18	1.19	1.31	1.31	1.31	1.32	1.46	1.45	1.45	1.46	1.61	1.61	1.61	1.62	1.80	1.80	1.80	1.81	
		Amps	4.0	4.0	4.0	4.1	4.6	4.6	4.6	4.6	5.2	5.2	5.2	5.2	5.8	5.8	5.8	5.9	6.6	6.6	6.6	6.6	7.4	7.4	7.4	7.4	
85		HI PR	249	250	251	256	287	288	290	294	328	329	330	335	371	372	374	378	418	419	421	425	468	469	471	475	
		LO PR	129	131	134	139	137	138	142	147	143	145	148	154	149	151	154	159	155	156	159	165	162	163	166	172	
85		525	MBh	18.8	19.0	19.6	20.4	18.6	18.9	19.4	20.2	18.2	18.4	18.9	19.8	17.4	17.6	18.1	19.0	16.4	16.6	17.2	18.0	15.5	15.7	16.3	17.1
			S/T	1.00	1.00	0.87	0.72	1.00	1.00	0.88	0.73	1.00	1.00	0.90	0.75	1.00	1.00	0.92	0.77	1.00	1.00	1.00	0.80	1.00	1.00	1.00	0.85
	610	ΔT	29	27	23	20	29	27	23	20	29	27	24	20	28	27	23	20	28	26	23	20	29	28	24	21	
		kW	1.07	1.07	1.07	1.07	1.19	1.19	1.18	1.19	1.32	1.32	1.32	1.32	1.46	1.46	1.46	1.47	1.62	1.62	1.62	1.63	1.81	1.80	1.80	1.81	
	675	Amps	4.1	4.1	4.1	4.1	4.6	4.6	4.6	4.6	5.2	5.2	5.2	5.2	5.9	5.9	5.8	5.9	6.6	6.6	6.6	6.6	7.4	7.4	7.4	7.5	
		HI PR	250	251	253	257	289	290	292	296	329	330	332	336	373	374	376	380	420	421	423	427	470	471	473	477	
	85	LO PR	131	132	136	141	139	140	143	149	145	147	150	155	151	152	156	161	156	158	161	166	163	165	168	173	

IDB: Entering Indoor Dry Bulb Temperature  
 High and low pressures are measured at the liquid and suction service valves.  
 Shaded area reflects AHRI Rating Conditions.  
 kW = Total system power  
 Amps = Outdoor unit amps (compressor + fan)

IDB	AIRFLOW	OUTDOOR AMBIENT TEMPERATURE												ENTERING INDOOR WET BULB TEMPERATURE											
		65°F				75°F				85°F				95°F				105°F				115°F			
		59	63	67	71	59	63	67	71	59	63	67	71	59	63	67	71	59	63	67	71	59	63	67	71
70	MBh	23.7	24.0	24.7	-	23.4	23.8	24.5	-	22.8	23.2	23.9	-	21.7	22.1	22.8	-	20.4	20.8	21.5	-	19.2	19.6	20.3	-
	S/T	0.59	0.51	0.37	-	0.60	0.52	0.37	-	0.62	0.54	0.40	-	0.65	0.56	0.42	-	1.00	0.59	0.44	-	1.00	0.64	0.50	-
	ΔT	19	17	14	-	19	17	14	-	19	17	14	-	19	17	14	-	19	17	14	-	20	18	15	-
	kW	1.41	1.40	1.40	-	1.57	1.57	1.57	-	1.76	1.76	1.75	-	1.96	1.96	1.95	-	2.18	2.18	2.18	-	2.44	2.44	2.44	-
	Amps	5.2	5.2	5.2	-	6.0	5.9	5.9	-	6.8	6.8	6.8	-	7.7	7.7	7.7	-	8.7	8.7	8.7	-	9.9	9.9	9.9	-
	HI/PR	249	250	252	-	288	290	291	-	330	331	333	-	374	375	377	-	422	423	425	-	474	475	476	-
LO/PR	123	124	128	-	130	132	135	-	137	139	142	-	143	144	147	-	148	150	153	-	155	157	160	-	
800	MBh	23.9	24.2	25.0	-	23.7	24.0	24.7	-	23.1	23.4	24.1	-	22.0	22.3	23.1	-	20.7	21.0	21.7	-	19.5	19.8	20.6	-
	S/T	0.67	0.59	0.44	-	0.67	0.59	0.45	-	0.70	0.62	0.48	-	1.00	0.64	0.50	-	1.00	0.66	0.52	-	1.00	0.72	0.58	-
	ΔT	18	16	13	-	18	16	13	-	18	16	13	-	18	16	13	-	18	16	13	-	19	17	14	-
	kW	1.41	1.41	1.41	-	1.58	1.58	1.58	-	1.77	1.76	1.76	-	1.97	1.96	1.96	-	2.19	2.19	2.19	-	2.45	2.45	2.45	-
	Amps	5.2	5.2	5.2	-	6.0	6.0	6.0	-	6.8	6.8	6.8	-	7.8	7.8	7.7	-	8.8	8.8	8.8	-	10.0	10.0	10.0	-
	HI/PR	251	252	254	-	290	292	293	-	332	333	335	-	376	377	379	-	424	426	427	-	476	477	479	-
LO/PR	125	126	129	-	132	134	137	-	139	140	143	-	144	146	149	-	150	151	154	-	157	158	161	-	
870	MBh	24.1	24.5	25.2	-	23.9	24.2	25.0	-	23.3	23.6	24.3	-	22.2	22.6	23.3	-	20.9	21.2	22.0	-	19.7	20.1	20.8	-
	S/T	0.71	0.62	0.48	-	0.71	0.63	0.49	-	0.74	0.66	0.51	-	1.00	0.68	0.53	-	1.00	0.70	0.56	-	1.00	0.76	0.61	-
	ΔT	17	16	12	-	17	15	12	-	17	16	13	-	17	15	12	-	17	15	12	-	18	16	13	-
	kW	1.42	1.42	1.42	-	1.59	1.58	1.58	-	1.77	1.77	1.77	-	1.97	1.97	1.97	-	2.20	2.19	2.19	-	2.46	2.46	2.45	-
	Amps	5.3	5.3	5.2	-	6.0	6.0	6.0	-	6.9	6.9	6.8	-	7.8	7.8	7.8	-	8.8	8.8	8.8	-	10.0	10.0	10.0	-
	HI/PR	252	253	255	-	292	293	295	-	333	334	336	-	378	379	381	-	426	427	429	-	477	478	480	-
LO/PR	126	127	130	-	133	135	138	-	140	141	145	-	145	147	150	-	151	152	156	-	158	159	163	-	
75	MBh	23.7	24.0	24.7	25.8	23.5	23.8	24.5	25.6	22.8	23.2	23.9	25.0	21.8	22.1	22.8	23.9	20.5	20.8	21.5	22.6	19.3	19.6	20.3	21.4
	S/T	0.80	0.72	0.58	0.43	0.73	0.65	0.51	0.36	1.00	0.68	0.54	0.39	1.00	0.70	0.56	0.41	1.00	0.72	0.58	0.43	1.00	1.00	0.64	0.48
	ΔT	22	20	17	13	21	20	17	13	22	20	17	14	21	20	17	13	21	20	16	13	22	21	17	14
	kW	1.41	1.41	1.41	1.41	1.57	1.57	1.57	1.58	1.76	1.75	1.75	1.76	1.96	1.95	1.95	1.96	2.18	2.18	2.18	2.19	2.44	2.44	2.44	2.45
	Amps	5.2	5.2	5.2	5.2	5.9	5.9	5.9	6.0	6.8	6.8	6.8	6.8	7.7	7.7	7.7	7.8	8.7	8.7	8.7	8.8	9.9	9.9	9.9	10.0
	HI/PR	249	250	252	256	289	290	291	296	330	331	333	337	375	376	377	382	423	424	425	430	474	475	477	481
LO/PR	123	125	128	133	131	132	135	140	137	139	142	147	143	144	147	153	148	150	153	158	155	157	160	165	
800	MBh	23.9	24.3	25.0	26.1	23.7	24.0	24.8	25.8	23.1	23.4	24.1	25.2	22.0	22.4	23.1	24.2	20.7	21.1	21.8	22.8	19.5	19.9	20.6	21.7
	S/T	0.80	0.72	0.58	0.43	0.81	0.73	0.59	0.44	1.00	0.76	0.61	0.46	1.00	0.78	0.63	0.48	1.00	0.80	0.66	0.51	1.00	1.00	0.71	0.56
	ΔT	22	20	17	13	21	20	17	13	22	20	17	14	21	20	17	13	21	20	16	13	22	21	17	14
	kW	1.41	1.41	1.41	1.42	1.58	1.58	1.58	1.59	1.76	1.76	1.76	1.77	1.96	1.96	1.96	1.97	2.19	2.19	2.18	2.20	2.45	2.45	2.45	2.46
	Amps	5.2	5.2	5.2	5.3	6.0	6.0	6.0	6.0	6.8	6.8	6.8	6.9	7.8	7.7	7.7	7.8	8.8	8.8	8.8	8.8	10.0	10.0	10.0	10.0
	HI/PR	251	252	254	258	291	292	294	298	332	333	335	339	377	378	379	384	425	426	427	432	476	477	479	483
LO/PR	125	126	129	135	132	134	137	142	139	140	143	149	144	146	149	154	150	151	154	160	157	158	161	167	
870	MBh	24.1	24.5	25.2	26.3	23.9	24.3	25.0	26.1	23.3	23.6	24.3	25.4	22.2	22.6	23.3	24.4	20.9	21.3	22.0	23.1	19.7	20.1	20.8	21.9
	S/T	0.84	0.76	0.62	0.47	1.00	0.77	0.62	0.47	1.00	0.79	0.65	0.50	1.00	0.82	0.67	0.52	1.00	0.84	0.69	0.54	1.00	1.00	0.75	0.60
	ΔT	21	19	16	13	21	19	16	13	21	19	16	13	21	19	16	13	21	19	16	13	22	20	17	14
	kW	1.42	1.42	1.41	1.43	1.58	1.58	1.58	1.59	1.77	1.77	1.77	1.78	1.97	1.97	1.97	1.98	2.19	2.19	2.19	2.20	2.46	2.46	2.45	2.47
	Amps	5.3	5.2	5.2	5.3	6.0	6.0	6.0	6.1	6.9	6.9	6.8	6.9	7.8	7.8	7.8	7.8	8.8	8.8	8.8	8.8	10.0	10.0	10.0	10.0
	HI/PR	253	254	255	260	292	293	295	299	333	335	336	341	378	379	381	385	426	427	429	433	477	478	480	484
LO/PR	126	127	130	136	133	135	138	143	140	141	145	150	146	147	150	155	151	153	156	161	158	159	163	168	

IDB: Entering Indoor Dry Bulb Temperature  
 High and low pressures are measured at the liquid and suction service valves.  
 Shaded area reflects ACCA (TVA) Rating Conditions.  
 kW = Total system power  
 Amps = Outdoor unit amps (compressor + fan)

IDB	AIRFLOW	OUTDOOR AMBIENT TEMPERATURE												115°F																		
		65°F						75°F						85°F						95°F						105°F						
		59	63	67	71	71	75	59	63	67	71	71	75	59	63	67	71	71	75	59	63	67	71	71	75	59	63	67	71	71	75	
80	700	MBh	23.8	24.1	24.8	25.9	25.9	23.6	23.9	24.6	25.7	25.7	23.0	23.3	24.0	25.1	25.1	21.9	22.2	22.9	24.0	24.0	20.6	20.9	21.6	22.7	22.7	19.4	19.7	20.4	21.5	21.5
		S/T	1.00	0.78	0.64	0.49	0.49	1.00	0.79	0.64	0.49	0.49	1.00	0.81	0.67	0.52	0.52	1.00	0.83	0.69	0.54	0.54	1.00	1.00	0.71	0.56	0.56	1.00	1.00	0.77	0.62	0.62
	ΔT	26	25	22	18	18	26	25	21	18	18	27	25	22	18	18	26	25	21	18	18	26	24	21	18	18	27	25	22	19	19	
	kW	1.41	1.40	1.40	1.41	1.41	1.57	1.57	1.57	1.58	1.58	1.76	1.76	1.75	1.76	1.76	1.96	1.96	1.96	1.95	1.97	2.18	2.18	2.18	2.19	2.19	2.44	2.44	2.44	2.45	2.45	
	Amps	5.2	5.2	5.2	5.2	5.2	6.0	5.9	5.9	6.0	6.0	6.8	6.8	6.8	6.8	6.8	7.7	7.7	7.7	7.7	7.8	8.7	8.7	8.7	8.8	8.8	9.9	9.9	9.9	10.0	10.0	
	HI PR	250	251	252	257	257	289	290	292	296	296	330	332	333	338	338	375	376	378	382	382	423	424	426	430	430	474	475	477	482	482	
	LO PR	124	125	128	133	133	131	133	136	141	141	138	139	142	148	148	143	145	148	153	153	149	150	153	159	159	156	157	160	166	166	
	MBh	24.0	24.4	25.1	26.2	26.2	23.8	24.2	24.9	26.0	26.0	23.2	23.6	24.3	25.3	25.3	22.1	22.5	23.2	24.3	24.3	20.8	21.2	21.9	23.0	23.0	19.6	20.0	20.7	21.8	21.8	
	S/T	1.00	0.86	0.71	0.56	0.56	1.00	0.86	0.72	0.57	0.57	1.00	0.89	0.75	0.59	0.59	1.00	1.00	0.77	0.62	0.62	1.00	1.00	0.79	0.64	0.64	1.00	1.00	0.84	0.69	0.69	
	ΔT	25	24	20	17	17	25	24	20	17	17	25	24	21	17	17	25	24	20	17	17	25	23	20	17	17	26	24	21	18	18	
kW	1.41	1.41	1.41	1.42	1.42	1.58	1.58	1.58	1.59	1.59	1.77	1.76	1.76	1.77	1.77	1.97	1.96	1.96	1.96	1.97	2.19	2.19	2.19	2.20	2.20	2.45	2.45	2.45	2.46	2.46		
Amps	5.2	5.2	5.2	5.3	5.3	6.0	6.0	6.0	6.0	6.0	6.8	6.8	6.8	6.9	6.9	7.8	7.8	7.8	7.8	7.8	8.8	8.8	8.8	8.8	8.8	10.0	10.0	10.0	10.0	10.0		
HI PR	252	253	255	259	259	291	292	294	298	298	333	334	335	340	340	377	378	380	384	384	425	426	428	432	432	476	477	479	484	484		
LO PR	125	127	130	135	135	133	134	137	143	143	139	141	144	149	149	145	146	150	155	155	150	152	155	160	160	157	159	162	167	167		
MBh	24.3	24.6	25.3	26.4	26.4	24.0	24.4	25.1	26.2	26.2	23.4	23.8	24.5	25.6	25.6	22.4	22.7	23.4	24.5	24.5	21.0	21.4	22.1	23.2	23.2	19.9	20.2	20.9	22.0	22.0		
S/T	1.00	0.89	0.75	0.60	0.60	1.00	0.90	0.76	0.61	0.61	1.00	0.93	0.78	0.63	0.63	1.00	1.00	0.80	0.65	0.65	1.00	1.00	0.83	0.68	0.68	1.00	1.00	0.88	0.73	0.73		
ΔT	25	23	20	17	17	25	23	20	17	17	25	23	20	17	17	25	23	20	16	16	24	23	20	16	16	25	24	21	17	17		
kW	1.42	1.42	1.42	1.43	1.43	1.59	1.58	1.58	1.59	1.59	1.77	1.77	1.77	1.78	1.78	1.97	1.97	1.97	1.98	1.98	2.19	2.19	2.19	2.20	2.20	2.46	2.46	2.46	2.47	2.47		
Amps	5.3	5.3	5.2	5.3	5.3	6.0	6.0	6.0	6.1	6.1	6.9	6.9	6.8	6.9	6.9	7.8	7.8	7.8	7.8	7.8	8.8	8.8	8.8	8.8	8.8	10.0	10.0	10.0	10.0	10.0		
HI PR	253	254	256	260	260	293	294	295	300	300	334	335	337	341	341	378	380	381	386	386	426	428	429	434	434	478	479	481	485	485		
LO PR	126	128	131	136	136	134	135	139	144	144	140	142	145	150	150	146	148	151	156	156	152	153	156	161	161	158	160	163	168	168		

85	700	MBh	24.2	24.5	25.2	26.3	26.3	24.0	24.3	25.0	26.1	26.1	23.4	23.7	24.4	25.5	25.5	22.3	22.6	23.3	24.4	24.4	21.0	21.3	22.0	23.1	23.1	19.8	20.1	20.8	21.9	21.9
		S/T	1.00	0.89	0.74	0.59	0.59	1.00	0.89	0.75	0.60	0.60	1.00	1.00	0.78	0.63	0.63	1.00	1.00	0.80	0.65	0.65	1.00	1.00	0.82	0.67	0.67	1.00	1.00	0.80	0.72	0.72
	ΔT	30	28	25	22	22	30	28	25	22	22	30	28	25	22	22	30	28	25	21	21	29	28	25	21	21	30	29	26	22	22	
	kW	1.41	1.41	1.40	1.42	1.42	1.57	1.57	1.57	1.58	1.58	1.76	1.76	1.76	1.77	1.77	1.96	1.96	1.96	1.96	1.97	2.18	2.18	2.18	2.19	2.19	2.45	2.45	2.44	2.45	2.45	
	Amps	5.2	5.2	5.2	5.2	5.2	6.0	6.0	6.0	6.0	6.0	6.8	6.8	6.8	6.9	6.9	7.7	7.7	7.7	7.8	7.8	8.8	8.7	8.7	8.8	8.8	10.0	10.0	9.9	10.0	10.0	
	HI PR	251	252	254	258	258	290	291	293	297	297	332	333	334	339	339	376	377	379	383	383	424	425	427	431	431	475	477	478	483	483	
	LO PR	125	127	130	135	135	133	134	138	143	143	140	141	144	149	149	145	147	150	155	155	151	152	155	161	161	157	159	162	167	167	
	MBh	24.5	24.8	25.5	26.6	26.6	24.2	24.6	25.3	26.4	26.4	23.6	24.0	24.7	25.7	25.7	22.5	22.9	23.6	24.7	24.7	21.2	21.6	22.3	23.4	23.4	20.0	20.4	21.1	22.2	22.2	
	S/T	1.00	0.96	0.82	0.67	0.67	1.00	1.00	0.83	0.68	0.68	1.00	1.00	0.85	0.70	0.70	1.00	1.00	0.87	0.72	0.72	1.00	1.00	0.90	0.75	0.75	1.00	1.00	0.80	0.80	0.80	
	ΔT	29	27	24	20	20	29	27	24	20	20	29	27	24	21	21	29	27	24	20	20	28	27	23	20	20	29	28	25	21	21	
kW	1.42	1.42	1.42	1.43	1.43	1.58	1.58	1.58	1.59	1.59	1.77	1.77	1.76	1.78	1.78	1.97	1.97	1.97	1.98	1.98	2.19	2.19	2.19	2.20	2.20	2.46	2.45	2.45	2.46	2.46		
Amps	5.2	5.2	5.2	5.3	5.3	6.0	6.0	6.0	6.0	6.0	6.9	6.8	6.8	6.9	6.9	7.8	7.8	7.8	7.8	7.8	8.8	8.8	8.8	8.8	8.8	10.0	10.0	10.0	10.0	10.0		
HI PR	253	254	256	260	260	292	293	295	300	300	334	335	337	341	341	378	379	381	385	385	426	427	429	433	433	478	479	480	485	485		
LO PR	127	129	132	137	137	135	136	139	144	144	141	143	146	151	151	147	148	151	157	157	152	154	157	162	162	159	161	164	169	169		
MBh	24.7	25.0	25.7	26.8	26.8	24.4	24.8	25.5	26.6	26.6	23.8	24.2	24.9	26.0	26.0	22.8	23.1	23.8	24.9	24.9	21.4	21.8	22.5	23.6	23.6	20.3	20.6	21.3	22.4	22.4		
S/T	1.00	1.00	0.86	0.71	0.71	1.00	1.00	0.86	0.71	0.71	1.00	1.00	0.89	0.74	0.74	1.00	1.00	0.91	0.76	0.76	1.00	1.00	0.93	0.78	0.78	1.00	1.00	0.80	0.84	0.84		
ΔT	28	26	23	20	20	28	26	23	20	20	28	26	23	20	20	28	26	23	20	20	28	26	23	20	20	29	27	24	21	21		
kW	1.42	1.42	1.42	1.43	1.43	1.59	1.59	1.58	1.60	1.60	1.77	1.77	1.77	1.78	1.78	1.97	1.97	1.97	1.98	1.98	2.20	2.20	2.19	2.21	2.21	2.46	2.46	2.46	2.47	2.47		
Amps	5.3	5.3	5.3	5.3	5.3	6.0	6.0	6.0	6.1	6.1	6.9	6.9	6.9	6.9	6.9	7.8	7.8	7.8	7.8	7.8	8.8	8.8	8.8	8.9	8.9	10.0	10.0	10.0	10.1	10.1		
HI PR	254	255	257	261	261	294	295	297	301	301	335	336	338	342	342	380	381	382	387	387	428	429	430	435	435	479	480	482	486	486		
LO PR	128	130	133	138	138	136	137	140	146	146	142	144	147	152	152	148	149	153	158	158	153	155	158	163	163	160	162	165	170	170		

IDB: Entering Indoor Dry Bulb Temperature  
 High and low pressures are measured at the liquid and suction service valves.  
 Shaded area reflects AHRI Rating Conditions.  
 kW = Total system power  
 Amps = Outdoor unit amps (compressor + fan)

IDB	AIRFLOW	OUTDOOR AMBIENT TEMPERATURE																								
		65°F				75°F				85°F				95°F				105°F				115°F				
		59	63	67	71	59	63	67	71	59	63	67	71	59	63	67	71	59	63	67	71	59	63	67	71	
70	870	MBh	28.4	28.8	29.7	-	28.2	28.6	29.4	-	27.5	27.9	28.7	-	26.2	26.6	27.4	-	24.7	25.1	25.9	-	23.3	23.6	24.5	-
		S/T	0.65	0.57	0.44	-	0.66	0.58	0.45	-	0.68	0.61	0.47	-	0.70	0.62	0.49	-	0.72	0.65	0.51	-	1.00	0.70	0.56	-
	ΔT	19	17	13	-	19	17	13	-	19	17	14	-	19	17	13	-	18	17	13	-	20	18	14	-	
	kW	1.69	1.69	1.68	-	1.89	1.89	1.89	-	2.12	2.11	2.11	-	2.36	2.36	2.35	-	2.63	2.63	2.63	-	2.95	2.95	2.95	-	
	Amps	6.5	6.5	6.5	-	7.5	7.5	7.4	-	8.5	8.5	8.5	-	9.6	9.6	9.6	-	10.9	10.9	10.8	-	12.3	12.3	12.3	-	
	HI PR	250	251	253	-	289	290	292	-	330	331	333	-	374	375	377	-	422	423	425	-	473	474	475	-	
	LO PR	118	120	123	-	125	127	130	-	131	133	136	-	137	138	141	-	142	143	146	-	148	150	153	-	
	MBh	29.0	29.4	30.2	-	28.7	29.1	30.0	-	28.0	28.4	29.2	-	26.7	27.1	28.0	-	25.2	25.6	26.4	-	23.8	24.2	25.0	-	
	S/T	0.69	0.61	0.48	-	0.69	0.62	0.49	-	0.72	0.64	0.51	-	0.74	0.66	0.53	-	1.00	0.68	0.55	-	1.00	0.73	0.60	-	
	ΔT	18	16	12	-	18	16	12	-	18	16	13	-	18	16	12	-	17	15	12	-	18	17	13	-	
kW	1.70	1.70	1.69	-	1.90	1.90	1.90	-	2.13	2.12	2.12	-	2.37	2.37	2.36	-	2.64	2.64	2.64	-	2.96	2.96	2.96	-		
Amps	6.6	6.6	6.6	-	7.5	7.5	7.5	-	8.5	8.5	8.5	-	9.7	9.7	9.6	-	10.9	10.9	10.9	-	12.4	12.4	12.4	-		
HI PR	252	254	255	-	292	293	294	-	333	334	335	-	377	378	380	-	424	425	427	-	475	476	478	-		
LO PR	120	122	125	-	128	129	132	-	134	135	138	-	139	140	143	-	144	146	149	-	151	152	155	-		
MBh	29.6	30.0	30.9	-	29.4	29.8	30.6	-	28.6	29.0	29.9	-	27.4	27.8	28.6	-	25.8	26.2	27.1	-	24.4	24.8	25.7	-		
S/T	0.69	0.62	0.49	-	0.70	0.62	0.49	-	0.72	0.65	0.52	-	0.74	0.67	0.54	-	1.00	0.69	0.56	-	1.00	0.74	0.61	-		
ΔT	17	15	11	-	17	15	11	-	17	15	12	-	17	15	11	-	16	15	11	-	17	16	12	-		
kW	1.71	1.71	1.70	-	1.91	1.91	1.90	-	2.13	2.13	2.13	-	2.38	2.38	2.37	-	2.65	2.65	2.65	-	2.97	2.97	2.97	-		
Amps	6.6	6.6	6.6	-	7.6	7.6	7.5	-	8.6	8.6	8.6	-	9.7	9.7	9.7	-	11.0	10.9	10.9	-	12.4	12.4	12.4	-		
HI PR	255	256	258	-	294	295	297	-	335	336	338	-	379	380	382	-	427	428	430	-	478	479	480	-		
LO PR	123	124	127	-	130	132	134	-	136	138	141	-	142	143	146	-	147	148	151	-	153	155	158	-		
75	870	MBh	28.5	28.9	29.7	31.0	28.2	28.6	29.4	30.7	27.5	27.9	28.7	30.0	26.2	26.6	27.5	28.7	24.7	25.1	25.9	27.2	23.3	23.7	24.5	25.8
		S/T	0.77	0.70	0.57	0.43	0.78	0.71	0.57	0.44	0.81	0.73	0.60	0.46	1.00	0.75	0.62	0.48	1.00	0.77	0.64	0.50	1.00	0.82	0.69	0.55
	ΔT	23	21	17	14	23	21	17	14	23	21	18	14	23	21	17	14	22	21	17	14	24	22	18	15	
	kW	1.69	1.69	1.68	1.70	1.89	1.89	1.88	1.90	2.11	2.11	2.11	2.12	2.36	2.36	2.35	2.37	2.63	2.63	2.63	2.64	2.95	2.95	2.95	2.96	
	Amps	6.5	6.5	6.5	6.6	7.5	7.5	7.4	7.5	8.5	8.5	8.5	8.5	9.6	9.6	9.6	9.7	10.9	10.9	10.8	10.9	12.3	12.3	12.3	12.4	
	HI PR	250	251	253	257	289	290	292	297	330	331	333	337	374	376	377	382	422	423	425	429	473	474	476	480	
	LO PR	118	120	123	128	125	127	130	135	131	133	136	141	137	138	141	146	142	143	146	151	148	150	153	158	
	MBh	29.0	29.4	30.2	31.5	28.8	29.1	30.0	31.3	28.0	28.4	29.3	30.5	26.8	27.2	28.0	29.3	25.2	25.6	26.5	27.7	23.8	24.2	25.0	26.3	
	S/T	0.81	0.74	0.61	0.47	0.82	0.74	0.61	0.47	1.00	0.77	0.64	0.50	1.00	0.79	0.65	0.52	1.00	0.81	0.68	0.54	1.00	0.86	0.73	0.59	
	ΔT	22	20	16	13	22	20	16	13	22	20	17	13	22	20	16	13	21	19	16	13	22	21	17	14	
kW	1.70	1.70	1.69	1.71	1.90	1.90	1.89	1.91	2.12	2.12	2.12	2.14	2.37	2.37	2.36	2.38	2.64	2.64	2.64	2.65	2.96	2.96	2.96	2.97		
Amps	6.6	6.6	6.6	6.6	7.5	7.5	7.5	7.6	8.5	8.5	8.5	8.6	9.7	9.7	9.6	9.7	10.9	10.9	10.9	11.0	12.4	12.4	12.3	12.4		
HI PR	253	254	256	260	292	293	295	299	333	334	336	340	377	378	380	384	425	426	427	432	475	476	478	482		
LO PR	120	122	125	130	128	129	132	137	134	135	138	143	139	140	143	148	144	146	149	153	151	152	155	160		
MBh	29.6	30.0	30.9	32.2	29.4	29.8	30.6	31.9	28.7	29.1	29.9	31.2	27.4	27.8	28.6	29.9	25.9	26.3	27.1	28.4	24.5	24.8	25.7	27.0		
S/T	0.82	0.74	0.61	0.47	0.82	0.75	0.62	0.48	1.00	0.77	0.64	0.50	1.00	0.79	0.66	0.52	1.00	0.81	0.68	0.54	1.00	0.86	0.73	0.59		
ΔT	21	19	15	12	21	19	15	12	21	19	16	12	21	19	15	12	20	19	15	12	22	20	16	13		
kW	1.71	1.70	1.70	1.72	1.91	1.91	1.90	1.92	2.13	2.13	2.13	2.14	2.38	2.38	2.37	2.39	2.65	2.65	2.64	2.66	2.97	2.97	2.96	2.98		
Amps	6.6	6.6	6.6	6.7	7.6	7.5	7.5	7.6	8.6	8.6	8.6	8.6	9.7	9.7	9.7	9.7	10.9	10.9	10.9	11.0	12.4	12.4	12.4	12.5		
HI PR	255	256	258	262	294	295	297	301	335	336	338	342	379	380	382	387	427	428	430	434	478	479	481	485		
LO PR	123	124	127	132	130	132	135	139	136	138	141	146	142	143	146	151	147	148	151	156	153	155	158	163		

IDB: Entering Indoor Dry Bulb Temperature  
 High and low pressures are measured at the liquid and suction service valves.  
 Shaded area reflects ACCA (TVA) Rating Conditions.  
 kW = Total system power  
 Amps = Outdoor unit amps (compressor + fan)



IDB		OUTDOOR AMBIENT TEMPERATURE												105°F												115°F																					
		65°F						75°F						85°F						95°F						105°F						115°F															
		ENTERING INDOOR WET BULB TEMPERATURE																																													
AIRFLOW	59	63	67	71	75	79	59	63	67	71	75	79	59	63	67	71	75	79	59	63	67	71	75	79	59	63	67	71	75	79	59	63	67	71	75	79											
<b>80</b>	MBh	28.6	29.0	29.8	31.1	28.4	28.8	29.6	30.9	30.1	26.4	26.8	27.6	28.9	24.8	25.2	26.1	27.3	24.8	25.2	26.1	27.3	28.9	27.6	28.9	24.8	25.2	26.1	27.3	23.4	23.8	24.7	25.9														
	S/T	0.90	0.82	0.69	0.55	1.00	0.83	0.70	0.56	0.58	1.00	0.87	0.74	0.60	1.00	0.89	0.76	0.62	0.62	1.00	0.89	0.76	0.62	0.74	0.60	0.60	1.00	0.89	0.76	0.62	1.00	1.00	0.81	0.67													
	ΔT	27	25	22	18	27	25	21	18	18	27	25	21	18	26	25	21	18	18	26	25	21	18	21	18	18	26	25	21	18	28	26	22	19													
	kW	1.69	1.69	1.68	1.70	1.89	1.89	1.88	1.90	1.91	2.12	2.11	2.11	2.13	2.36	2.63	2.63	2.64	2.64	2.63	2.63	2.63	2.64	2.37	2.36	2.37	2.63	2.63	2.63	2.64	2.95	2.95	2.95	2.96													
	Amps	6.5	6.5	6.5	6.6	7.5	7.5	7.4	7.5	7.6	8.5	8.5	8.5	8.5	9.6	9.6	9.6	10.8	10.9	10.9	10.9	10.9	10.8	9.7	9.6	9.7	10.9	10.9	10.9	10.8	12.3	12.3	12.3	12.4													
	HI PR	251	252	254	258	290	291	293	297	297	331	332	334	338	375	376	378	424	425	430	423	424	425	430	382	382	382	423	424	425	430	473	474	476	480												
	LO PR	119	120	123	128	126	127	130	135	135	132	133	136	141	137	139	142	144	147	152	142	144	147	152	147	147	147	142	144	147	152	149	150	153	158												
	MBh	29.2	29.5	30.4	31.7	28.9	29.3	30.1	31.4	31.4	28.2	28.6	29.4	30.7	26.9	27.3	28.1	29.4	25.4	25.8	26.6	27.9	24.0	24.4	25.2	26.5	24.0	24.4	25.2	26.5	24.0	24.4	25.2	26.5													
	S/T	0.93	0.86	0.73	0.59	1.00	0.87	0.73	0.59	0.59	1.00	0.89	0.76	0.62	1.00	0.91	0.78	0.64	0.64	1.00	0.89	0.76	0.62	0.78	0.64	0.64	1.00	0.89	0.76	0.62	1.00	1.00	0.85	0.71													
	ΔT	26	24	20	17	26	24	20	17	17	26	24	21	17	26	24	21	17	17	25	24	20	17	21	17	17	25	24	20	17	27	25	21	18													
kW	1.70	1.70	1.69	1.71	1.90	1.90	1.90	1.91	1.91	2.13	2.12	2.12	2.14	2.37	2.37	2.36	2.38	2.64	2.64	2.64	2.65	2.96	2.96	2.96	2.97	2.96	2.96	2.96	2.96	2.96	2.96	2.96	2.97														
Amps	6.6	6.6	6.6	6.6	7.5	7.5	7.5	7.6	7.6	8.5	8.5	8.5	8.6	9.7	9.7	9.6	9.7	10.9	10.9	10.9	10.9	11.0	12.4	12.4	12.4	12.4	12.4	12.4	12.4	12.4	12.4	12.4	12.4														
HI PR	253	254	256	260	292	293	295	299	299	333	334	336	340	377	378	380	385	425	426	428	432	476	477	479	483	476	477	479	483	476	477	479	483														
LO PR	121	122	125	130	128	129	132	137	137	134	136	139	144	139	141	144	149	145	146	149	154	151	153	155	160	151	153	155	153	155	155	160															
MBh	29.8	30.2	31.0	32.3	29.5	29.9	30.8	32.1	32.1	28.8	29.2	30.0	31.3	27.5	27.9	28.8	30.1	26.0	26.4	27.2	28.5	24.6	25.0	25.8	27.1	24.6	25.0	25.8	27.1	24.6	25.0	25.8	27.1														
S/T	1.00	0.87	0.73	0.59	1.00	0.87	0.74	0.60	0.60	1.00	0.90	0.76	0.63	1.00	0.92	0.78	0.64	0.64	1.00	0.90	0.76	0.63	0.78	0.64	0.64	1.00	0.90	0.76	0.63	1.00	1.00	0.86	0.72														
ΔT	25	23	19	16	25	23	19	16	16	25	23	20	16	25	23	19	16	16	24	23	19	16	21	16	16	24	23	19	16	26	24	20	17														
kW	1.71	1.71	1.70	1.72	1.91	1.91	1.90	1.92	1.92	2.13	2.13	2.13	2.14	2.38	2.38	2.37	2.39	2.65	2.65	2.65	2.66	2.97	2.97	2.97	2.98	2.97	2.97	2.97	2.97	2.97	2.97	2.97	2.98														
Amps	6.6	6.6	6.6	6.7	7.6	7.5	7.5	7.6	7.6	8.6	8.6	8.6	8.6	9.7	9.7	9.7	9.8	11.0	10.9	10.9	11.0	12.4	12.4	12.4	12.5	12.4	12.4	12.4	12.4	12.4	12.4	12.5															
HI PR	256	257	258	263	295	296	298	302	302	336	337	339	343	380	381	383	387	427	428	430	435	478	479	481	485	478	479	481	485	478	479	481	485														
LO PR	124	125	128	133	131	132	135	140	140	137	138	141	146	142	144	146	151	147	149	152	157	154	155	158	163	154	155	158	155	158	158	163															
<b>85</b>	MBh	29.1	29.5	30.3	31.6	28.8	29.2	30.1	31.3	31.3	28.1	28.5	29.3	30.6	26.8	27.2	28.1	29.4	25.3	25.7	26.5	27.8	23.9	24.3	25.1	26.4	23.9	24.3	25.1	26.4	23.9	24.3	25.1	26.4													
	S/T	1.00	0.92	0.79	0.65	1.00	0.93	0.80	0.66	0.66	1.00	0.95	0.82	0.68	1.00	1.00	0.84	0.70	1.00	1.00	0.86	0.72	1.00	1.00	0.91	0.77	1.00	1.00	0.91	0.77	1.00	1.00	0.91	0.77													
	ΔT	30	29	25	22	30	28	25	22	22	31	29	25	22	30	28	25	22	22	30	28	25	22	31	29	26	22	31	29	26	22	31	29	26	22												
	kW	1.69	1.69	1.69	1.70	1.89	1.89	1.89	1.90	1.90	2.12	2.12	2.11	2.13	2.36	2.36	2.36	2.37	2.64	2.64	2.63	2.65	2.96	2.96	2.96	2.97	2.96	2.96	2.96	2.96	2.96	2.96	2.96	2.97													
	Amps	6.6	6.6	6.5	6.6	7.5	7.5	7.5	7.5	7.5	8.5	8.5	8.5	8.6	9.6	9.6	9.6	9.7	10.9	10.9	10.9	10.9	12.3	12.3	12.3	12.4	12.3	12.3	12.3	12.3	12.3	12.3	12.4														
	HI PR	252	253	255	259	291	292	294	298	298	332	333	335	339	376	377	379	383	424	425	427	431	474	476	477	482	474	476	477	482	474	476	477	482													
	LO PR	120	122	125	130	127	129	132	137	137	134	135	138	143	139	140	143	148	144	146	148	153	151	152	155	160	151	152	155	152	155	155	160														
	MBh	29.6	30.0	30.9	32.1	29.4	29.8	30.6	31.9	31.9	28.6	29.0	29.9	31.2	27.4	27.8	28.6	29.9	25.8	26.2	27.1	28.4	24.4	24.8	25.7	26.9	24.4	24.8	25.7	26.9	24.4	24.8	25.7	26.9													
	S/T	1.00	0.96	0.83	0.69	1.00	0.96	0.83	0.69	0.69	1.00	1.00	0.86	0.72	1.00	1.00	0.88	0.74	1.00	1.00	0.90	0.76	1.00	1.00	0.95	0.81	1.00	1.00	0.95	0.81	1.00	1.00	0.95	0.81													
	ΔT	29	27	24	20	29	27	24	20	20	29	28	24	21	29	27	24	20	20	29	27	24	20	30	28	25	21	30	28	25	21	31	29	26	22												
kW	1.70	1.70	1.70	1.71	1.90	1.90	1.90	1.91	1.91	2.13	2.13	2.12	2.14	2.37	2.37	2.37	2.38	2.65	2.64	2.64	2.66	2.97	2.96	2.96	2.98	2.97	2.96	2.96	2.96	2.96	2.96	2.96	2.98														
Amps	6.6	6.6	6.6	6.7	7.5	7.5	7.5	7.6	7.6	8.6	8.6	8.5	8.6	9.7	9.7	9.7	9.7	10.9	10.9	10.9	11.0	12.4	12.4	12.4	12.4	12.4	12.4	12.4	12.4	12.4	12.4	12.4	12.4														
HI PR	254	255	257	261	293	295	296	301	301	334	335	337	342	379	380	381	386	426	427	429	433	477	478	480	484	477	478	480	484	477	478	480	484														
LO PR	123	124	127	132	130	131	134	139	139	136	137	140	145	141	143	146	151	146	148	151	156	153	154	157	162	153	154	157	156	157	160	165															
MBh	30.3	30.7	31.5	32.8	30.0	30.4	31.2	32.5	32.5	29.3	29.7	30.5	31.8	28.0	28.4	29.3	30.5	26.5	26.9	27.7	29.0	25.1	25.5	26.3	27.6	25.1	25.5	26.3	27.6	25.1	25.5	26.3	27.6														
S/T	1.00	0.96	0.83	0.69	1.00	0.97	0.84	0.70	0.70	1.00	1.00	0.86	0.72	1.00	1.00	0.88	0.74	1.00	1.00	0.90	0.76	1.00	1.00	0.95	0.81	1.00	1.00	0.95	0.81	1.00	1.00	0.95	0.81														
ΔT	28	27	23	20	28	26	23	19	19	29	27	23	20	28	26	23	19	19	28	26	23	19	29	27	24	20	29	27	24	20	30	28	25	21													
kW	1.71	1.71	1.71	1.72	1.91	1.91	1.91	1.92	1.92	2.14	2.14	2.13	2.15	2.38	2.38	2.38	2.39	2.65	2.65	2.65	2.67	2.97	2.97	2.97	2.98	2.97	2.97	2.97	2.97	2.97	2.97	2.97	2.98														
Amps	6.7	6.6	6.6	6.7	7.6	7.6	7.6	7.6	7.6	8.6	8.6	8.6	8.7	9.7	9.7	9.7	9.8	11.0	11.0	11.0	11.0	12.4	12.4	12.4	12.5	12.4	12.4	12.4	12.4	12.4	12.4	12.5															
HI PR	257	258	260	264	296	297	299	303	303	337	338	340																																			

IDB	AIRFLOW	OUTDOOR AMBIENT TEMPERATURE												ENTERING INDOOR WET BULB TEMPERATURE													
		65°F				75°F				85°F				95°F				105°F				115°F					
		59	63	67	71	59	63	67	71	59	63	67	71	59	63	67	71	59	63	67	71	59	63	67	71		
70	1070	MBh	36.3	36.8	37.9	-	36.0	36.5	37.5	-	35.0	35.5	36.6	-	33.4	33.9	35.0	-	31.5	32.0	33.0	-	29.7	30.2	31.2	-	
		S/T	0.65	0.57	0.44	-	0.66	0.58	0.45	-	0.68	0.61	0.47	-	0.70	0.62	0.49	-	1.00	0.65	0.51	-	1.00	0.70	0.56	-	
		ΔT	19	18	14	-	19	17	14	-	20	18	14	-	19	17	14	-	19	17	14	-	20	18	15	-	
	1200	kW	2.17	2.17	2.16	-	2.44	2.43	2.43	-	2.73	2.73	2.72	-	3.05	3.05	3.04	-	3.41	3.41	3.40	-	3.83	3.83	3.82	-	
		Amps	8.3	8.3	8.2	-	9.5	9.5	9.5	-	10.8	10.8	10.8	-	12.3	12.3	12.3	-	13.9	13.9	13.9	-	15.9	15.9	15.8	-	
		HI PR	263	265	266	-	305	306	308	-	348	349	351	-	394	395	397	-	444	446	447	-	498	499	501	-	
	1350	LO PR	121	123	126	-	129	130	133	-	135	137	140	-	140	142	145	-	146	147	150	-	152	154	157	-	
		MBh	36.8	37.3	38.4	-	36.5	37.0	38.1	-	35.6	36.1	37.2	-	34.0	34.5	35.5	-	32.0	32.5	33.6	-	30.2	30.7	31.8	-	
		S/T	0.68	0.61	0.48	-	0.69	0.61	0.48	-	0.71	0.64	0.51	-	0.73	0.66	0.52	-	1.00	0.68	0.55	-	1.00	0.73	0.60	-	
	75	1070	ΔT	18	17	13	-	18	17	13	-	19	17	13	-	18	17	13	-	18	16	13	-	19	17	14	-
			kW	2.19	2.19	2.19	-	2.46	2.46	2.45	-	2.75	2.75	2.75	-	3.07	3.07	3.07	-	3.43	3.43	3.42	-	3.85	3.85	3.84	-
			Amps	8.4	8.4	8.4	-	9.6	9.6	9.6	-	10.9	10.9	10.9	-	12.4	12.4	12.4	-	14.1	14.0	14.0	-	16.0	16.0	15.9	-
1200		HI PR	268	269	271	-	309	310	312	-	352	354	355	-	399	400	402	-	449	450	452	-	503	504	505	-	
		LO PR	126	127	130	-	133	135	138	-	139	141	144	-	145	146	149	-	150	152	155	-	157	158	161	-	
		MBh	37.6	38.1	39.2	-	37.3	37.8	38.9	-	36.3	36.8	37.9	-	34.7	35.2	36.3	-	32.8	33.3	34.3	-	31.0	31.5	32.5	-	
1350		S/T	0.69	0.62	0.49	-	0.70	0.62	0.49	-	0.72	0.65	0.52	-	1.00	0.67	0.54	-	1.00	0.69	0.56	-	1.00	0.74	0.61	-	
		ΔT	18	16	12	-	17	16	12	-	18	16	12	-	17	16	12	-	17	15	12	-	18	16	13	-	
		kW	2.19	2.19	2.19	-	2.46	2.46	2.45	-	2.75	2.75	2.75	-	3.07	3.07	3.07	-	3.43	3.43	3.42	-	3.85	3.85	3.84	-	
77		1070	HI PR	264	265	267	271	305	306	308	312	348	349	351	356	395	396	398	402	445	446	448	452	498	499	501	506
			LO PR	121	123	126	131	129	130	133	138	135	137	140	145	141	142	145	150	146	147	150	155	152	154	157	162
			MBh	36.9	37.4	38.4	40.1	36.5	37.0	38.1	39.7	35.6	36.1	37.2	38.8	34.0	34.5	35.6	37.2	32.0	32.5	33.6	35.2	30.2	30.7	31.8	33.4
	1200	S/T	0.81	0.73	0.60	0.46	0.81	0.74	0.61	0.47	1.00	0.76	0.63	0.49	1.00	0.78	0.65	0.51	1.00	0.80	0.67	0.53	1.00	1.00	0.72	0.58	
		ΔT	23	21	17	14	23	21	17	13	23	21	17	14	23	21	17	13	22	20	17	13	24	22	18	14	
		kW	2.18	2.18	2.17	2.19	2.44	2.44	2.44	2.46	2.74	2.74	2.73	2.75	3.06	3.06	3.05	3.07	3.42	3.42	3.41	3.43	3.84	3.84	3.83	3.85	
	1350	Amps	8.3	8.3	8.3	8.4	9.5	9.5	9.5	9.6	10.9	10.9	10.9	11.0	12.4	12.3	12.3	12.4	14.0	14.0	14.0	14.1	15.9	15.9	15.9	16.0	
		HI PR	266	267	269	273	307	308	310	314	350	351	353	358	397	398	400	404	447	448	450	454	500	501	503	508	
		LO PR	123	125	128	133	131	132	135	140	137	138	142	147	142	144	147	152	148	149	152	157	154	156	159	164	
	1350	MBh	37.6	38.1	39.2	40.8	37.3	37.8	38.9	40.5	36.4	36.9	37.9	39.6	34.8	35.3	36.3	38.0	32.8	33.3	34.4	36.0	31.0	31.5	32.6	34.2	
		S/T	0.82	0.74	0.61	0.47	0.82	0.75	0.62	0.48	1.00	0.78	0.64	0.50	1.00	0.79	0.66	0.52	1.00	0.82	0.68	0.54	1.00	1.00	0.73	0.59	
		ΔT	22	20	16	13	22	20	16	13	22	20	16	13	22	20	16	13	21	19	16	12	23	21	17	13	
1350	kW	2.19	2.19	2.18	2.20	2.46	2.45	2.45	2.47	2.75	2.75	2.75	2.77	3.07	3.07	3.07	3.09	3.43	3.43	3.42	3.44	3.85	3.85	3.84	3.86		
	Amps	8.4	8.4	8.3	8.4	9.6	9.6	9.6	9.7	10.9	10.9	10.9	11.0	12.4	12.4	12.4	12.5	14.0	14.0	14.0	14.1	16.0	16.0	15.9	16.0		
	HI PR	268	269	271	276	309	311	312	317	353	354	356	360	399	400	402	407	449	450	452	457	503	504	506	510		
LO PR	126	127	130	135	133	135	138	143	140	141	144	149	145	146	149	155	150	152	155	160	157	158	161	166			

IDB: Entering Indoor Dry Bulb Temperature  
 High and low pressures are measured at the liquid and suction service valves.  
 Shaded area reflects ACCA (TVA) Rating Conditions.  
 kW = Total system power  
 Amps = Outdoor unit amps (compressor + fan)

IDB	AIRFLOW	OUTDOOR AMBIENT TEMPERATURE												105°F												115°F											
		65°F				75°F				85°F				95°F				105°F				115°F															
		59	63	67	71	59	63	67	71	59	63	67	71	59	63	67	71	59	63	67	71	59	63	67	71												
80	1070	MBh	36.5	37.0	38.1	39.7	36.2	36.7	37.7	39.4	35.2	35.7	36.8	38.4	33.6	34.1	35.2	36.8	31.7	32.2	33.2	34.9	29.9	30.4	31.4	33.1											
		S/T	0.90	0.82	0.69	0.55	1.00	0.83	0.70	0.56	1.00	0.85	0.72	0.58	1.00	0.87	0.74	0.60	1.00	1.00	0.76	0.62	1.00	1.00	0.81	0.67											
	ΔT	28	26	22	19	28	26	22	19	28	26	23	19	28	26	22	19	28	26	22	18	29	27	23	20												
	kW	2.17	2.17	2.16	2.18	2.43	2.43	2.43	2.45	2.73	2.73	2.72	2.74	3.05	3.05	3.04	3.06	3.41	3.41	3.40	3.42	3.83	3.83	3.82	3.84												
	Amps	8.3	8.3	8.2	8.3	9.5	9.5	9.5	9.6	10.8	10.8	10.8	10.9	12.3	12.3	12.3	12.4	13.9	13.9	13.9	14.0	15.9	15.9	15.8	15.9												
	HI PR	264	265	267	272	305	306	308	313	349	350	351	356	395	396	398	403	445	446	448	453	499	500	502	506												
	LO PR	122	123	127	132	129	131	134	139	136	137	140	145	141	143	146	151	146	148	151	156	153	154	157	163												
	MBh	37.0	37.5	38.6	40.2	36.7	37.2	38.3	39.9	35.8	36.3	37.4	39.0	34.2	34.7	35.7	37.4	32.2	32.7	33.8	35.4	30.4	30.9	32.0	33.6												
	S/T	1.00	0.86	0.72	0.58	1.00	0.86	0.73	0.59	1.00	0.89	0.75	0.61	1.00	0.90	0.77	0.63	1.00	1.00	0.79	0.65	1.00	1.00	0.84	0.71												
	ΔT	27	25	21	18	27	25	21	18	27	25	22	18	27	25	21	18	27	25	21	17	28	26	22	19												
kW	2.18	2.18	2.17	2.19	2.45	2.44	2.44	2.46	2.74	2.74	2.74	2.76	3.06	3.06	3.06	3.08	3.42	3.42	3.41	3.43	3.84	3.84	3.83	3.85													
Amps	8.3	8.3	8.3	8.4	9.5	9.5	9.5	9.6	10.9	10.9	10.9	11.0	12.4	12.4	12.3	12.4	14.0	14.0	14.0	14.1	15.9	15.9	15.9	16.0													
HI PR	266	267	269	274	307	309	310	315	351	352	354	358	397	398	400	405	447	448	450	455	501	502	504	508													
LO PR	124	125	128	133	131	133	136	141	138	139	142	147	143	144	147	153	148	150	153	158	155	156	159	164													
MBh	37.8	38.3	39.4	41.0	37.5	38.0	39.1	40.7	36.5	37.1	38.1	39.8	34.9	35.4	36.5	38.1	33.0	33.5	34.5	36.2	31.2	31.7	32.8	34.4													
S/T	1.00	0.87	0.73	0.60	1.00	0.87	0.74	0.60	1.00	0.90	0.77	0.63	1.00	1.00	0.78	0.64	1.00	1.00	0.81	0.67	1.00	1.00	0.86	0.72													
ΔT	26	24	20	17	26	24	20	17	26	24	21	17	26	24	20	17	26	24	20	16	27	25	21	18													
kW	2.19	2.19	2.19	2.21	2.46	2.46	2.45	2.47	2.75	2.75	2.75	2.77	3.07	3.07	3.07	3.09	3.43	3.43	3.42	3.44	3.85	3.85	3.84	3.86													
Amps	8.4	8.4	8.4	8.4	9.6	9.6	9.6	9.7	10.9	10.9	10.9	11.0	12.4	12.4	12.4	12.5	14.0	14.0	14.0	14.1	16.0	16.0	15.9	16.0													
HI PR	269	270	272	276	310	311	313	317	353	354	356	361	400	401	403	407	450	451	453	457	503	504	506	511													
LO PR	126	128	131	136	134	135	138	143	140	142	145	150	145	147	150	155	151	152	155	160	157	159	162	167													
85	1070	MBh	37.1	37.6	38.7	40.3	36.8	37.3	38.3	40.0	35.8	36.3	37.4	39.0	34.2	34.7	35.8	37.4	32.3	32.8	33.8	35.5	30.5	31.0	32.0	33.7											
		S/T	1.00	0.92	0.79	0.65	1.00	0.93	0.80	0.66	1.00	1.00	0.82	0.68	1.00	1.00	0.84	0.70	1.00	1.00	0.86	0.72	1.00	1.00	1.00	0.77											
	ΔT	32	30	26	22	32	30	26	22	32	30	26	23	31	30	26	22	31	29	26	22	32	31	27	23												
	kW	2.17	2.17	2.17	2.19	2.44	2.44	2.43	2.45	2.74	2.73	2.73	2.75	3.06	3.05	3.05	3.07	3.41	3.41	3.41	3.43	3.83	3.83	3.83	3.85												
	Amps	8.3	8.3	8.3	8.4	9.5	9.5	9.5	9.6	10.9	10.9	10.8	10.9	12.3	12.3	12.3	12.4	14.0	14.0	13.9	14.0	15.9	15.9	15.9	16.0												
	HI PR	265	266	268	273	307	308	310	314	350	351	353	357	396	397	399	404	446	448	449	454	500	501	503	507												
	LO PR	124	125	128	133	131	133	136	141	137	139	142	147	143	144	147	152	148	150	153	158	155	156	159	164												
	MBh	37.6	38.1	39.2	40.8	37.3	37.8	38.9	40.5	36.4	36.9	38.0	39.6	34.8	35.3	36.4	38.0	32.8	33.3	34.4	36.0	31.0	31.5	32.6	34.2												
	S/T	1.00	0.95	0.82	0.68	1.00	0.96	0.83	0.69	1.00	1.00	0.85	0.71	1.00	1.00	0.87	0.73	1.00	1.00	0.89	0.75	1.00	1.00	1.00	0.80												
	ΔT	31	29	25	21	31	29	25	21	31	29	25	22	31	29	25	21	30	28	25	21	31	30	26	22												
kW	2.19	2.18	2.18	2.20	2.45	2.45	2.44	2.46	2.75	2.74	2.74	2.76	3.07	3.06	3.06	3.08	3.42	3.42	3.42	3.44	3.84	3.84	3.84	3.86													
Amps	8.4	8.3	8.3	8.4	9.6	9.6	9.5	9.6	10.9	10.9	10.9	11.0	12.4	12.4	12.4	12.4	14.0	14.0	14.0	14.1	15.9	15.9	15.9	16.0													
HI PR	267	269	270	275	309	310	312	316	352	353	355	359	398	399	401	406	448	450	451	456	502	503	505	509													
LO PR	126	127	130	135	133	134	137	143	139	141	144	149	145	146	149	154	150	151	155	160	157	158	161	166													
MBh	38.4	38.9	40.0	41.6	38.1	38.6	39.7	41.3	37.2	37.7	38.7	40.4	35.5	36.0	37.1	38.8	33.6	34.1	35.2	36.8	31.8	32.3	33.4	35.0													
S/T	1.00	0.97	0.83	0.69	1.00	1.00	0.84	0.70	1.00	1.00	0.86	0.72	1.00	1.00	0.88	0.74	1.00	1.00	0.90	0.77	1.00	1.00	1.00	0.82													
ΔT	30	28	24	21	30	28	24	20	30	28	24	21	30	28	24	20	29	27	24	20	31	29	25	21													
kW	2.20	2.20	2.19	2.21	2.46	2.46	2.46	2.48	2.76	2.76	2.75	2.77	3.08	3.08	3.07	3.09	3.44	3.43	3.43	3.45	3.86	3.85	3.85	3.87													
Amps	8.4	8.4	8.4	8.5	9.6	9.6	9.6	9.7	11.0	11.0	10.9	11.0	12.4	12.4	12.4	12.5	14.1	14.1	14.0	14.1	16.0	16.0	16.0	16.1													
HI PR	270	271	273	277	311	312	314	319	354	355	357	362	401	402	404	408	451	452	454	458	504	506	507	512													
LO PR	128	130	133	138	135	137	140	145	142	143	146	151	147	149	152	157	153	154	157	162	159	161	164	169													

IDB: Entering Indoor Dry Bulb Temperature  
 High and low pressures are measured at the liquid and suction service valves.  
 Shaded area reflects AHRI Rating Conditions.  
 kW = Total system power  
 Amps = Outdoor unit amps (compressor + fan)

IDB		OUTDOOR AMBIENT TEMPERATURE												115°F																	
		65°F						75°F						85°F						95°F						105°F					
		AIRFLOW		59	63	67	71	59	63	67	71	59	63	67	71	59	63	67	71	59	63	67	71	59	63	67	71				
<b>70</b>	1300	MBh	40.2	40.8	41.9	-	39.8	40.4	41.6	-	38.8	39.4	40.6	-	37.0	37.6	38.8	-	34.8	35.4	36.6	-	32.9	33.4	34.6	-					
		S/T	0.66	0.59	0.45	-	0.67	0.59	0.46	-	0.69	0.62	0.48	-	1.00	0.64	0.50	-	1.00	0.66	0.52	-	1.00	0.71	0.58	-					
	ΔT	18	17	13	-	18	16	13	-	19	17	13	-	18	16	13	-	18	16	13	-	19	17	14	-						
	kW	2.44	2.44	2.44	-	2.72	2.72	2.72	-	3.03	3.03	3.03	-	3.37	3.37	3.36	-	3.74	3.74	3.73	-	4.18	4.18	4.17	-						
	Amps	9.0	9.0	8.9	-	10.2	10.2	10.2	-	11.7	11.6	11.6	-	13.2	13.2	13.2	-	14.9	14.9	14.9	-	16.9	16.9	16.9	-						
	HI PR	254	255	257	-	294	295	297	-	335	337	338	-	380	381	383	-	429	430	431	-	480	481	483	-						
	LO PR	124	125	129	-	131	133	136	-	138	139	143	-	143	145	148	-	149	150	153	-	156	157	160	-						
	MBh	40.6	41.1	42.3	-	40.2	40.8	42.0	-	39.2	39.7	40.9	-	37.4	38.0	39.1	-	35.2	35.8	37.0	-	33.2	33.8	35.0	-						
	S/T	0.69	0.61	0.48	-	0.69	0.62	0.48	-	0.72	0.64	0.51	-	1.00	0.66	0.53	-	1.00	0.68	0.55	-	1.00	0.73	0.60	-						
	ΔT	18	16	13	-	18	16	13	-	18	16	13	-	18	16	13	-	17	16	12	-	19	17	13	-						
kW	2.45	2.45	2.45	-	2.73	2.73	2.72	-	3.04	3.04	3.03	-	3.37	3.37	3.37	-	3.75	3.75	3.74	-	4.19	4.19	4.18	-							
Amps	9.0	9.0	9.0	-	10.3	10.3	10.2	-	11.7	11.7	11.7	-	13.2	13.2	13.2	-	14.9	14.9	14.9	-	17.0	16.9	16.9	-							
HI PR	255	256	258	-	295	296	298	-	337	338	340	-	382	383	384	-	430	431	433	-	481	483	484	-							
LO PR	125	127	130	-	133	134	137	-	139	141	144	-	145	146	149	-	150	152	155	-	157	158	161	-							
MBh	41.3	41.9	43.1	-	41.0	41.5	42.7	-	39.9	40.5	41.7	-	38.2	38.7	39.9	-	36.0	36.5	37.7	-	34.0	34.6	35.7	-							
S/T	0.71	0.63	0.50	-	0.71	0.64	0.50	-	0.74	0.66	0.53	-	1.00	0.68	0.55	-	1.00	0.70	0.57	-	1.00	0.75	0.62	-							
ΔT	17	15	12	-	17	15	12	-	17	15	12	-	17	15	12	-	17	15	11	-	18	16	13	-							
kW	2.46	2.46	2.46	-	2.74	2.74	2.74	-	3.05	3.05	3.04	-	3.39	3.38	3.38	-	3.76	3.76	3.75	-	4.20	4.20	4.19	-							
Amps	9.1	9.0	9.0	-	10.3	10.3	10.3	-	11.7	11.7	11.7	-	13.3	13.3	13.2	-	15.0	15.0	15.0	-	17.0	17.0	17.0	-							
HI PR	258	259	260	-	297	298	300	-	339	340	342	-	384	385	387	-	432	433	435	-	484	485	487	-							
LO PR	127	129	132	-	135	136	140	-	141	143	146	-	147	148	152	-	152	154	157	-	159	161	164	-							
<b>75</b>	1300	MBh	40.2	40.8	42.0	43.8	39.9	40.4	41.6	43.4	38.8	39.4	40.6	42.4	37.0	37.6	38.8	40.6	34.9	35.4	36.6	38.4	32.9	33.4	34.6	36.4					
		S/T	0.79	0.72	0.58	0.44	0.80	0.72	0.59	0.44	1.00	0.75	0.61	0.47	1.00	0.77	0.63	0.49	1.00	0.81	0.68	0.53	1.00	1.00	0.70	0.56					
	ΔT	22	20	17	14	22	20	17	14	22	21	17	14	22	20	17	14	22	20	17	13	23	21	18	14						
	kW	2.44	2.44	2.44	2.46	2.72	2.72	2.71	2.73	3.03	3.03	3.02	3.04	3.37	3.36	3.36	3.38	3.74	3.74	3.73	3.75	4.18	4.18	4.17	4.19						
	Amps	9.0	9.0	8.9	9.0	10.2	10.2	10.2	10.3	11.6	11.6	11.6	11.7	13.2	13.2	13.2	13.2	14.9	14.9	14.9	15.0	16.9	16.9	16.9	17.0						
	HI PR	254	255	257	261	294	295	297	301	336	337	338	343	380	382	383	388	429	430	432	436	480	481	483	488						
	LO PR	124	126	129	134	131	133	136	141	138	139	143	148	143	145	148	153	149	150	153	159	156	157	160	165						
	MBh	40.6	41.2	42.3	44.2	40.2	40.8	42.0	43.8	39.2	39.8	40.9	42.8	37.4	38.0	39.2	41.0	35.2	35.8	37.0	38.8	33.3	33.8	35.0	36.8						
	S/T	0.82	0.74	0.60	0.46	0.82	0.75	0.61	0.47	1.00	0.77	0.64	0.49	1.00	0.79	0.65	0.51	1.00	0.81	0.68	0.53	1.00	1.00	0.73	0.59						
	ΔT	22	20	17	13	22	20	16	13	22	20	17	13	22	20	16	13	22	20	16	13	22	21	17	14						
kW	2.45	2.45	2.44	2.47	2.73	2.73	2.72	2.74	3.04	3.04	3.03	3.05	3.37	3.37	3.37	3.39	3.75	3.75	3.74	3.76	4.19	4.18	4.18	4.20							
Amps	9.0	9.0	9.0	9.1	10.3	10.3	10.2	10.3	11.7	11.7	11.7	11.8	13.2	13.2	13.2	13.3	14.9	14.9	14.9	15.0	16.9	16.9	16.9	17.0							
HI PR	256	257	258	263	295	296	298	303	337	338	340	344	382	383	385	389	430	431	433	437	482	483	485	489							
LO PR	125	127	130	135	133	134	137	142	139	141	144	149	145	146	149	154	150	152	155	160	157	158	161	167							
MBh	41.4	41.9	43.1	44.9	41.0	41.6	42.7	44.6	40.0	40.5	41.7	43.5	38.2	38.7	39.9	41.7	36.0	36.6	37.7	39.6	34.0	34.6	35.8	37.6							
S/T	0.84	0.76	0.62	0.48	1.00	0.77	0.63	0.49	1.00	0.79	0.66	0.51	1.00	0.83	0.70	0.55	1.00	0.85	0.72	0.57	1.00	1.00	0.75	0.61							
ΔT	21	19	16	12	21	19	16	12	21	19	16	12	21	19	16	12	21	19	15	12	22	20	16	13							
kW	2.46	2.46	2.46	2.48	2.74	2.74	2.73	2.75	3.05	3.05	3.04	3.06	3.39	3.38	3.38	3.40	3.76	3.76	3.75	3.77	4.20	4.20	4.19	4.21							
Amps	9.1	9.0	9.0	9.1	10.3	10.3	10.3	10.4	11.7	11.7	11.7	11.8	13.3	13.2	13.2	13.3	15.0	15.0	15.0	15.1	17.0	17.0	17.0	17.1							
HI PR	258	259	261	265	298	299	300	305	339	340	342	346	384	385	387	391	432	433	435	440	484	485	487	491							
LO PR	128	129	132	137	135	136	140	145	141	143	146	151	147	148	152	157	152	154	157	162	159	161	164	169							

IDB: Entering Indoor Dry Bulb Temperature  
 High and low pressures are measured at the liquid and suction service valves.  
 Shaded area reflects ACCA (TVA) Rating Conditions.  
 kW = Total system power  
 Amps = Outdoor unit amps (compressor + fan)

IDB		OUTDOOR AMBIENT TEMPERATURE												105°F												115°F																																	
		65°F						75°F						85°F						95°F						105°F						115°F																											
		ENTERING INDOOR WET BULB TEMPERATURE																																																									
AIRFLOW	59	63	67	71	75	79	59	63	67	71	75	79	59	63	67	71	75	79	59	63	67	71	75	79	59	63	67	71	75	79	59	63	67	71	75	79																							
<b>1300</b>	MBh	40.4	41.0	42.2	44.0	40.1	40.6	41.8	43.6	43.6	43.6	43.6	39.0	39.6	40.8	42.6	42.6	42.6	42.6	37.3	37.8	39.0	40.8	40.8	40.8	35.1	35.6	36.8	38.6	38.6	38.6	33.1	33.6	34.8	36.6	36.6	36.6																						
	S/T	1.00	0.84	0.71	0.56	1.00	0.85	0.71	0.57	0.57	0.57	0.57	1.00	0.87	0.74	0.59	0.59	0.59	0.59	1.00	1.00	1.00	0.76	0.61	0.61	1.00	1.00	0.78	0.64	0.64	0.64	1.00	1.00	0.83	0.69	0.69	0.69																						
	ΔT	26	24	21	18	26	24	21	18	18	18	18	26	25	21	18	18	18	18	26	24	21	18	18	18	26	24	21	17	17	17	27	25	22	18	18	18																						
	kW	2.44	2.44	2.44	2.46	2.72	2.72	2.72	2.74	2.74	2.74	2.74	3.03	3.03	3.02	3.05	3.05	3.05	3.05	3.37	3.36	3.36	3.38	3.38	3.38	3.74	3.74	3.73	3.76	3.76	3.76	4.18	4.18	4.17	4.20	4.20	4.20																						
	Amps	9.0	9.0	8.9	9.0	10.2	10.2	10.2	10.3	10.3	10.3	10.3	11.7	11.6	11.6	11.7	11.7	11.8	11.8	13.2	13.2	13.2	13.3	13.3	13.3	14.9	14.9	14.9	15.0	15.0	15.0	16.9	16.9	16.9	17.0	17.0	17.0																						
	HI PR	255	256	258	262	294	296	297	302	302	302	302	336	337	339	343	343	343	343	381	382	382	384	388	388	429	430	432	437	437	437	481	482	484	488	488	488																						
LO PR	125	126	129	134	132	133	137	142	142	142	142	138	140	143	148	148	148	148	144	145	145	149	154	154	149	151	154	159	159	159	156	158	161	166	166	166																							
<b>1400</b>	MBh	40.8	41.4	42.5	44.4	40.4	41.0	42.2	44.0	44.0	44.0	44.0	39.4	40.0	41.2	43.0	43.0	43.0	43.0	37.6	38.2	39.4	41.2	41.2	41.2	35.4	36.0	37.2	39.0	39.0	39.0	33.5	34.0	35.2	37.0	37.0	37.0																						
	S/T	1.00	0.86	0.73	0.59	1.00	0.87	0.74	0.59	0.59	0.59	0.59	1.00	0.90	0.76	0.62	0.62	0.62	0.62	1.00	1.00	1.00	0.78	0.64	0.64	1.00	1.00	0.80	0.66	0.66	0.66	1.00	1.00	0.85	0.71	0.71	0.71																						
	ΔT	26	24	21	17	26	24	20	17	17	17	17	26	24	21	17	17	17	17	26	24	21	17	17	17	25	24	20	17	17	17	26	25	21	18	18	18																						
	kW	2.45	2.45	2.45	2.47	2.73	2.73	2.72	2.74	2.74	2.74	2.74	3.04	3.04	3.03	3.05	3.05	3.05	3.05	3.37	3.37	3.37	3.37	3.39	3.39	3.75	3.75	3.74	3.76	3.76	3.76	4.19	4.19	4.18	4.20	4.20	4.20																						
	Amps	9.0	9.0	9.0	9.1	10.3	10.3	10.2	10.3	10.3	10.4	10.4	11.7	11.7	11.7	11.8	11.8	11.8	11.8	13.2	13.2	13.2	13.3	13.3	13.3	14.9	14.9	14.9	15.0	15.0	15.0	16.9	16.9	16.9	17.0	17.0	17.0																						
	HI PR	256	257	259	263	296	297	299	303	303	303	303	337	338	340	345	345	345	345	382	383	383	385	389	389	431	432	433	438	438	438	482	483	485	489	489	489																						
LO PR	126	127	130	136	133	135	138	143	143	143	143	140	141	144	150	150	150	150	145	147	147	150	155	155	151	152	155	160	160	160	157	159	162	167	167	167																							
<b>1575</b>	MBh	41.6	42.1	43.3	45.1	41.2	41.8	43.0	44.8	44.8	44.8	44.8	40.2	40.7	41.9	43.7	43.7	43.7	43.7	38.4	38.9	40.1	41.9	41.9	41.9	36.2	36.8	38.0	39.8	39.8	39.8	34.2	34.8	36.0	37.8	37.8	37.8																						
	S/T	1.00	0.88	0.75	0.61	1.00	0.89	0.76	0.61	0.61	0.61	0.61	1.00	0.92	0.78	0.64	0.64	0.64	0.64	1.00	1.00	1.00	0.80	0.66	0.66	1.00	1.00	0.82	0.68	0.68	0.68	1.00	1.00	0.87	0.73	0.73	0.73																						
	ΔT	25	23	20	16	25	23	20	16	16	16	16	25	23	20	16	16	16	16	25	23	20	16	16	16	24	23	19	16	16	16	26	24	20	17	17	17																						
	kW	2.46	2.46	2.46	2.48	2.74	2.74	2.73	2.76	2.76	2.76	2.76	3.05	3.05	3.04	3.07	3.07	3.07	3.07	3.39	3.38	3.38	3.38	3.40	3.40	3.76	3.76	3.75	3.78	3.78	3.78	4.20	4.20	4.19	4.21	4.21	4.21																						
	Amps	9.1	9.0	9.0	9.1	10.3	10.3	10.3	10.4	10.4	10.4	10.4	11.7	11.7	11.7	11.8	11.8	11.8	11.8	13.3	13.3	13.2	13.3	13.3	13.3	15.0	15.0	15.0	15.1	15.1	15.1	17.0	17.0	17.0	17.1	17.1	17.1																						
	HI PR	258	259	261	266	298	299	301	305	305	305	305	340	341	342	347	347	347	347	384	386	387	387	392	392	433	434	436	440	440	440	484	485	487	492	492	492																						
LO PR	128	130	133	138	135	137	140	145	145	145	145	142	144	147	152	152	152	152	148	149	149	152	157	157	153	154	158	163	163	163	160	161	164	169	169	169																							
<b>1300</b>	MBh	41.1	41.7	42.8	44.7	40.7	41.3	42.5	44.3	44.3	44.3	44.3	39.7	40.3	41.5	43.3	43.3	43.3	43.3	37.9	38.5	39.7	41.5	41.5	41.5	35.7	36.3	37.5	39.3	39.3	39.3	33.8	34.3	35.5	37.3	37.3	37.3																						
	S/T	1.00	0.94	0.81	0.66	1.00	0.95	0.81	0.67	0.67	0.67	0.67	1.00	1.00	0.84	0.70	0.70	0.70	0.70	1.00	1.00	1.00	0.86	0.71	0.71	1.00	1.00	0.88	0.74	0.74	0.74	1.00	1.00	1.00	0.81	0.81	0.81																						
	ΔT	30	28	25	21	30	28	25	21	21	21	21	30	28	25	21	21	21	21	30	28	25	21	21	21	29	28	24	21	21	21	31	29	25	22	22	22																						
	kW	2.45	2.45	2.44	2.46	2.73	2.73	2.72	2.74	2.74	2.74	2.74	3.04	3.03	3.03	3.05	3.05	3.05	3.05	3.37	3.37	3.37	3.39	3.39	3.39	3.75	3.74	3.74	3.76	3.76	3.76	4.19	4.18	4.18	4.20	4.20	4.20																						
	Amps	9.0	9.0	9.0	9.1	10.3	10.3	10.2	10.3	10.4	10.4	10.4	11.7	11.7	11.6	11.7	11.7	11.7	11.7	13.2	13.2	13.2	13.3	13.3	13.3	14.9	14.9	14.9	15.0	15.0	15.0	16.9	16.9	16.9	17.0	17.0	17.0																						
	HI PR	256	257	259	263	296	297	299	303	303	303	303	337	338	340	345	345	345	345	382	383	383	385	389	389	430	432	433	438	438	438	482	483	485	489	489	489																						
LO PR	126	128	131	136	134	135	138	144	144	144	144	140	142	145	150	150	150	150	146	147	147	150	156	156	151	153	156	161	161	161	158	159	163	168	168	168																							
<b>1400</b>	MBh	41.5	42.0	43.2	45.0	41.1	41.7	42.9	44.7	44.7	44.7	44.7	40.1	40.6	41.8	43.6	43.6	43.6	43.6	38.3	38.9	40.0	41.9	41.9	41.9	36.1	36.7	37.9	39.7	39.7	39.7	34.1	34.7	35.9	37.7	37.7	37.7																						
	S/T	1.00	0.97	0.83	0.69	1.00	1.00	0.84	0.69	0.69	0.69	0.69	1.00	1.00	0.86	0.72	0.72	0.72	0.72	1.00	1.00	1.00	0.88	0.74	0.74	1.00	1.00	0.90	0.76	0.76	0.76	1.00	1.00	1.00	0.81	0.81	0.81																						
	ΔT	29	27	24	21	29	27	24	21	21	21	21	29	28	24	21	21	21	21	29	27	24	20	20	20	29	27	24	20	20	20	30	28	25	21	21	21																						
	kW	2.46	2.46	2.45	2.47	2.74	2.73	2.73	2.75	2.75	2.75	2.75	3.04	3.04	3.04	3.06	3.06	3.06	3.06	3.38	3.38	3.38	3.39	3.39	3.39	3.75	3.75	3.75	3.77	3.77	3.77	4.19	4.19	4.19	4.21	4.21	4.21																						
	Amps	9.0	9.0	9.0	9.1	10.3	10.3	10.3	10.4	10.4	10.4	10.4	11.7	11.7	11.7	11.8	11.8	11.8	11.8	13.2	13.2	13.2	13.3	13.3	13.3	15.0	15.0	14.9	15.0	15.0	15.0	17.0	17.0	16.9	17.0	17.0	17.0																						
	HI PR	257	258	260	264	297	298	300	304	304	304	304	339	340	341	346	346	346	346	383	384	384	386	391	391	432	433	435	439	439	439	483	484	486	491	491	491																						
LO PR	128	129	132	137	135	137	140	145	145	145	145	142	143	146	151	151	151	151	147	149	149	152	157	157	152	154	157	162	162	162	159	161	164	169	169	169																							
<b>1575</b>	MBh	42.2	42.8	44.0	45.8	41.9	42.4	43.6	45.4	45.4	45.4	45.4	40.8	41.4	42.6	44.4	44.4	44.4	44.4	39.1	39.6	40.8	42.6	42.6	42.6	36.9	37.4	38.6	40.4	40.4	40.4	34.9	35.4	36.6	38.4	38.4	38.4																						
	S/T	1.00	0.99	0.85	0.71	1.0																																																					

IDB	AIRFLOW	OUTDOOR AMBIENT TEMPERATURE												ENTERING INDOOR WET BULB TEMPERATURE											
		65°F				75°F				85°F				95°F				105°F				115°F			
		59	63	67	71	59	63	67	71	59	63	67	71	59	63	67	71	59	63	67	71	59	63	67	71
70	1400	MBh	45.9	46.5	47.9	47.1	45.5	46.1	47.5	46.3	44.3	44.9	46.3	42.2	42.9	44.2	39.7	40.4	41.7	37.4	38.1	39.4	-		
		S/T	0.64	0.56	0.42	-	0.65	0.57	0.43	-	0.67	0.59	0.45	-	0.69	0.61	0.47	1.00	0.64	0.50	1.00	0.69	0.55	-	
		ΔT	19	17	14	-	19	17	14	-	19	17	14	-	19	17	14	19	17	14	20	18	15	-	
	1560	kW	2.79	2.78	2.78	2.78	3.11	3.10	3.10	-	3.46	3.46	3.46	-	3.85	3.85	3.84	4.28	4.28	4.28	4.79	4.79	4.78	-	
		Amps	10.2	10.2	10.2	10.2	11.7	11.7	11.6	-	13.3	13.3	13.3	-	15.1	15.1	15.0	17.1	17.0	17.0	19.4	19.4	19.3	-	
		HI/PR	256	257	259	260	296	297	299	-	338	339	341	-	384	385	387	433	434	436	485	486	488	-	
	1800	LO/PR	122	124	127	131	130	131	134	-	136	138	141	-	142	143	146	147	149	152	154	156	159	-	
		MBh	46.4	47.0	48.4	48.0	46.0	46.6	48.0	-	44.8	45.4	46.8	-	42.7	43.4	44.7	40.2	40.9	42.2	37.9	38.6	39.9	-	
		S/T	0.69	0.61	0.47	-	0.69	0.62	0.48	-	0.72	0.64	0.50	-	1.00	0.66	0.52	1.00	0.69	0.54	1.00	0.74	0.60	-	
	75	1400	ΔT	18	16	13	-	18	16	13	-	18	16	13	-	18	16	13	18	16	13	19	17	14	-
			kW	2.80	2.80	2.79	-	3.12	3.12	3.11	-	3.48	3.48	3.47	-	3.87	3.86	3.86	4.30	4.30	4.29	4.80	4.80	4.80	-
			Amps	10.3	10.3	10.2	-	11.7	11.7	11.7	-	13.4	13.4	13.3	-	15.1	15.1	15.1	17.1	17.1	17.1	19.4	19.4	19.4	-
1560		HI/PR	258	259	260	-	298	299	301	-	340	341	343	-	386	387	388	435	436	437	487	488	490	-	
		LO/PR	124	125	129	-	131	133	136	-	138	139	142	-	143	145	148	149	150	153	155	157	160	-	
		MBh	47.3	47.9	49.3	-	46.9	47.5	48.9	-	45.7	46.3	47.7	-	43.6	44.3	45.6	41.1	41.8	43.1	38.8	39.5	40.8	-	
1800		S/T	0.73	0.65	0.51	-	0.73	0.66	0.52	-	0.76	0.68	0.54	-	1.00	0.70	0.56	1.00	0.72	0.58	1.00	0.78	0.64	-	
		ΔT	17	15	12	-	17	15	12	-	17	15	12	-	17	15	12	17	15	12	18	16	13	-	
		kW	2.82	2.81	2.81	-	3.14	3.14	3.13	-	3.50	3.49	3.49	-	3.88	3.88	3.87	4.31	4.31	4.31	4.82	4.82	4.81	-	
75		1400	Amps	10.3	10.3	10.3	-	11.8	11.8	11.8	-	13.4	13.4	13.4	-	15.2	15.2	15.2	17.2	17.2	17.2	19.5	19.5	19.5	-
			HI/PR	260	261	263	-	300	302	303	-	343	344	346	-	388	389	391	437	438	440	489	491	492	-
			LO/PR	126	128	131	-	134	135	138	-	140	142	145	-	146	147	150	151	153	156	158	159	163	-
	1560	MBh	45.9	46.6	47.9	50.0	45.5	46.1	47.5	49.6	44.3	45.0	46.3	48.4	42.2	42.9	44.3	39.7	40.4	41.7	37.4	38.1	39.5	41.5	
		S/T	0.77	0.69	0.55	0.41	0.78	0.70	0.56	0.41	1.00	0.73	0.59	0.44	1.00	0.75	0.61	1.00	0.77	0.63	1.00	1.00	0.68	0.54	
		ΔT	23	21	18	14	23	21	18	14	23	21	18	14	23	21	18	22	21	17	24	22	18	15	
	1800	kW	2.79	2.78	2.78	2.80	3.11	3.10	3.10	3.12	3.46	3.46	3.45	3.48	3.85	3.85	3.84	4.28	4.28	4.27	4.79	4.79	4.78	4.81	
		Amps	10.2	10.2	10.2	10.3	11.7	11.6	11.6	11.7	13.3	13.3	13.3	13.4	15.1	15.0	15.1	17.0	17.0	17.0	19.4	19.4	19.3	19.4	
		HI/PR	256	257	259	263	296	297	299	304	339	340	341	346	384	385	387	433	434	436	485	486	488	493	
	1560	LO/PR	122	124	127	132	130	131	134	140	136	138	141	146	142	143	146	147	149	152	154	156	159	164	
		MBh	46.4	47.1	48.4	50.5	46.0	46.6	48.0	50.1	44.8	45.5	46.8	48.9	42.7	43.4	44.8	40.2	40.9	42.2	37.9	38.6	40.0	42.0	
		S/T	0.82	0.74	0.60	0.46	0.83	0.75	0.61	0.46	1.00	0.78	0.64	0.49	1.00	0.80	0.66	1.00	0.82	0.68	1.00	1.00	0.73	0.58	
1800	ΔT	22	20	17	13	22	20	17	13	22	20	17	14	22	20	17	22	20	17	23	21	18	14		
	kW	2.80	2.80	2.79	2.81	3.12	3.12	3.11	3.14	3.48	3.47	3.47	3.49	3.86	3.86	3.86	4.30	4.29	4.29	4.80	4.80	4.79	4.82		
	Amps	10.3	10.2	10.2	10.3	11.7	11.7	11.7	11.8	13.4	13.3	13.3	13.4	15.1	15.1	15.2	17.1	17.1	17.1	19.4	19.4	19.4	19.5		
1560	HI/PR	258	259	261	265	298	299	301	305	340	341	343	348	386	387	389	435	436	438	487	488	490	494		
	LO/PR	124	125	129	134	131	133	136	141	138	139	142	148	143	145	148	149	150	153	156	157	160	165		
	MBh	47.3	48.0	49.3	51.4	46.9	47.6	48.9	51.0	45.7	46.4	47.7	49.8	43.7	44.3	45.7	41.1	41.8	43.2	38.8	39.5	40.9	43.0		
1800	S/T	0.86	0.78	0.64	0.50	1.00	0.79	0.65	0.50	1.00	0.82	0.68	0.53	1.00	0.84	0.70	1.00	0.86	0.72	1.00	1.00	0.77	0.62		
	ΔT	21	19	16	12	21	19	16	12	21	19	16	13	21	19	16	22	20	17	22	20	17	13		
	kW	2.82	2.81	2.81	2.83	3.14	3.13	3.13	3.15	3.49	3.49	3.49	3.51	3.88	3.88	3.87	4.31	4.30	4.30	4.82	4.82	4.81	4.84		
1560	Amps	10.3	10.3	10.3	10.4	11.8	11.8	11.8	11.9	13.4	13.4	13.4	13.5	15.2	15.2	15.3	17.2	17.2	17.2	19.5	19.5	19.5	19.6		
	HI/PR	260	261	263	268	301	302	304	308	343	344	346	350	388	389	391	437	438	440	490	491	493	497		
	LO/PR	126	128	131	136	134	135	138	144	140	142	145	150	146	147	150	151	153	156	158	159	163	168		

IDB: Entering Indoor Dry Bulb Temperature  
 High and low pressures are measured at the liquid and suction service valves.  
 Shaded area reflects ACCA (TVA) Rating Conditions.  
 Amps = Outdoor unit amps (compressor + fan)  
 kW = Total system power

IDB	AIRFLOW	OUTDOOR AMBIENT TEMPERATURE												105°F												115°F																	
		65°F						75°F						85°F						95°F						105°F						115°F											
		59	63	67	71	75	79	59	63	67	71	75	79	59	63	67	71	75	79	59	63	67	71	75	79	59	63	67	71	75	79	59	63	67	71	75	79						
80	1400	MBh	46.1	46.8	48.2	50.2	45.7	46.4	47.8	49.8	44.5	45.2	46.6	48.6	42.5	43.1	44.5	46.6	40.0	40.6	42.0	44.1	37.7	38.3	39.7	41.8	40.0	40.6	42.0	44.1	37.7	38.3	39.7	41.8	40.0	40.6	42.0	44.1	37.7	38.3	39.7	41.8	
		S/T	1.00	0.82	0.68	0.54	1.00	0.83	0.69	0.54	1.00	0.86	0.72	0.57	1.00	0.88	0.74	0.59	1.00	1.00	1.00	0.76	0.61	1.00	1.00	0.81	0.66	1.00	1.00	0.76	0.61	1.00	1.00	0.81	0.66	1.00	1.00	0.76	0.61	1.00	1.00	0.81	0.66
		Delta T	27	25	22	18	27	25	22	18	27	25	22	18	27	25	22	18	27	26	25	21	18	27	26	22	19	26	25	21	18	27	26	22	19	26	25	21	18	27	26	22	19
		KW	2.79	2.78	2.78	2.80	3.11	3.10	3.10	3.12	3.46	3.46	3.46	3.48	3.85	3.85	3.84	3.87	4.28	4.28	4.28	4.28	4.30	4.79	4.79	4.78	4.81	4.28	4.28	4.28	4.30	4.79	4.79	4.78	4.81	4.28	4.28	4.28	4.30	4.79	4.79	4.78	4.81
		AMPS	10.2	10.2	10.2	10.3	11.7	11.7	11.6	11.7	13.3	13.3	13.3	13.4	15.1	15.1	15.0	15.1	17.1	17.0	17.0	17.0	17.1	19.4	19.4	19.3	19.4	17.1	17.0	17.0	17.1	19.4	19.4	19.3	19.4	17.1	17.0	17.0	17.1	19.4	19.4	19.3	19.4
	1560	HI PR	256	258	259	264	297	298	300	304	339	340	342	346	384	386	387	392	433	435	436	441	486	487	489	493	433	435	436	441	486	487	489	493	433	435	436	441	486	487	489	493	
		LO PR	123	124	128	133	130	132	135	140	137	138	142	147	142	144	147	152	148	149	152	158	155	156	159	164	148	149	152	158	155	156	159	164	148	149	152	158	155	156	159	164	
		MBh	46.6	47.3	48.7	50.8	46.2	46.9	48.3	50.3	45.0	45.7	47.1	49.1	43.0	43.6	45.0	47.1	40.5	41.1	42.5	44.6	38.2	38.8	40.2	42.3	40.5	41.1	42.5	44.6	38.2	38.8	40.2	42.3	40.5	41.1	42.5	44.6	38.2	38.8	40.2	42.3	
		S/T	1.00	0.87	0.73	0.59	1.00	0.88	0.74	0.59	1.00	0.91	0.77	0.62	1.00	1.00	0.79	0.64	1.00	1.00	0.81	0.66	1.00	1.00	0.86	0.71	1.00	1.00	0.81	0.66	1.00	1.00	0.86	0.71	1.00	1.00	0.81	0.66	1.00	1.00	0.86	0.71	
		Delta T	26	24	21	17	26	24	21	17	26	24	21	18	26	24	21	17	26	24	20	17	27	25	22	18	26	24	20	17	27	25	22	18	26	24	20	17	27	25	22	18	
1800	KW	2.80	2.80	2.79	2.82	3.12	3.12	3.11	3.14	3.48	3.48	3.47	3.49	3.86	3.86	3.86	3.88	4.30	4.29	4.29	4.31	4.80	4.80	4.80	4.82	4.30	4.29	4.29	4.31	4.80	4.80	4.80	4.82	4.30	4.29	4.29	4.31	4.80	4.80	4.80	4.82		
	AMPS	10.3	10.2	10.2	10.3	11.7	11.7	11.7	11.8	13.4	13.4	13.3	13.4	15.1	15.1	15.1	15.2	17.1	17.1	17.1	17.2	19.4	19.4	19.4	19.5	17.1	17.1	17.1	17.2	19.4	19.4	19.4	19.5	17.1	17.1	17.1	17.2	19.4	19.4	19.4	19.5		
	HI PR	258	259	261	266	299	300	301	306	341	342	344	348	386	387	389	394	435	436	438	443	488	489	490	495	435	436	438	443	488	489	490	495	435	436	438	443	488	489	490	495		
	LO PR	124	126	129	134	132	133	136	142	138	140	143	148	144	145	149	154	149	151	154	159	156	158	161	166	149	151	154	159	156	158	161	166	149	151	154	159	156	158	161	166		
	MBh	47.6	48.2	49.6	51.7	47.1	47.8	49.2	51.2	46.0	46.6	48.0	50.1	43.9	44.5	45.9	48.0	41.4	42.0	43.4	45.5	39.1	39.7	41.1	43.2	41.4	42.0	43.4	45.5	39.1	39.7	41.1	43.2	41.4	42.0	43.4	45.5	39.1	39.7	41.1	43.2		
85	1400	S/T	1.00	0.91	0.77	0.62	1.00	0.92	0.78	0.63	1.00	0.95	0.80	0.66	1.00	1.00	0.82	0.68	1.00	1.00	0.85	0.70	1.00	1.00	0.90	0.75	1.00	1.00	0.85	0.70	1.00	1.00	0.90	0.75	1.00	1.00	0.85	0.70	1.00	1.00	0.90	0.75	
		Delta T	25	23	20	16	25	23	20	16	25	23	20	16	25	23	20	16	24	23	19	16	26	24	20	17	24	23	19	16	26	24	20	17	24	23	19	16	26	24	20	17	
		KW	2.79	2.79	2.78	2.81	3.11	3.11	3.11	3.13	3.47	3.47	3.46	3.49	3.86	3.86	3.85	3.87	4.29	4.29	4.28	4.31	4.80	4.79	4.79	4.81	4.29	4.29	4.28	4.31	4.80	4.79	4.79	4.81	4.29	4.29	4.28	4.31	4.80	4.79	4.79	4.81	
		AMPS	10.2	10.2	10.2	10.3	11.7	11.7	11.7	11.8	13.4	13.4	13.4	13.5	15.2	15.2	15.2	15.3	17.2	17.2	17.2	17.3	19.5	19.5	19.5	19.6	17.2	17.2	17.2	17.3	19.5	19.5	19.5	19.6	17.2	17.2	17.2	17.3	19.5	19.5	19.5	19.6	
		HI PR	258	259	261	265	298	299	301	305	340	341	343	348	386	387	389	393	435	436	438	442	487	488	490	494	435	436	438	442	487	488	490	494	435	436	438	442	487	488	490	494	
	1560	LO PR	125	126	129	135	132	134	137	142	139	140	143	149	144	146	149	154	150	151	154	159	156	158	161	166	149	151	154	159	156	158	161	166	149	151	154	159	156	158	161	166	
		MBh	47.4	48.1	49.4	51.5	47.0	47.7	49.0	51.1	45.8	46.5	47.8	49.9	43.8	44.4	45.8	47.9	41.2	41.9	43.3	45.3	38.9	39.6	41.0	43.1	41.2	41.9	43.3	45.3	38.9	39.6	41.0	43.1	41.2	41.9	43.3	45.3	38.9	39.6	41.0	43.1	
		S/T	1.00	0.98	0.84	0.69	1.00	0.98	0.84	0.70	1.00	1.00	0.87	0.72	1.00	1.00	0.89	0.74	1.00	1.00	0.91	0.77	1.00	1.00	0.82	0.67	1.00	1.00	0.91	0.77	1.00	1.00	0.82	0.67	1.00	1.00	0.91	0.77	1.00	1.00	0.82	0.67	
		Delta T	29	28	24	21	29	27	24	21	30	28	24	21	29	27	24	21	29	27	24	21	30	28	25	22	29	27	24	21	30	28	25	22	29	27	24	21	30	28	25	22	
		KW	2.81	2.80	2.80	2.82	3.13	3.12	3.12	3.14	3.48	3.48	3.48	3.50	3.87	3.87	3.86	3.89	4.30	4.30	4.30	4.32	4.81	4.81	4.80	4.83	4.30	4.30	4.30	4.32	4.81	4.81	4.80	4.83	4.30	4.30	4.30	4.32	4.81	4.81	4.80	4.83	
1800	AMPS	10.3	10.3	10.3	10.4	11.8	11.7	11.7	11.8	13.4	13.4	13.4	13.5	15.2	15.2	15.1	15.2	17.1	17.1	17.1	17.2	19.5	19.5	19.4	19.5	17.1	17.1	17.1	17.2	19.5	19.5	19.4	19.5	17.1	17.1	17.1	17.2	19.5	19.5	19.4	19.5		
	HI PR	259	261	262	267	300	301	303	307	342	343	345	349	387	389	390	395	436	438	439	444	489	490	492	496	436	438	439	444	489	490	492	496	436	438	439	444	489	490	492	496		
	LO PR	126	128	131	136	134	135	138	144	140	142	145	150	146	147	150	156	151	153	156	161	158	159	162	168	151	153	156	161	158	159	162	168	151	153	156	161	158	159	162	168		
	MBh	48.3	49.0	50.3	52.4	47.9	48.6	49.9	52.0	46.7	47.4	48.7	50.8	44.7	45.3	46.7	48.8	42.2	42.8	44.2	46.3	39.9	40.5	41.9	44.0	42.2	42.8	44.2	46.3	39.9	40.5	41.9	44.0	42.2	42.8	44.2	46.3	39.9	40.5	41.9	44.0		
	S/T	1.00	1.00	0.88	0.73	1.00	1.00	0.88	0.74	1.00	1.00	0.91	0.76	1.00	1.00	0.93	0.78	1.00	1.00	0.95	0.80	1.00	1.00	0.86	0.71	1.00	1.00	0.95	0.80	1.00	1.00	0.86	0.71	1.00	1.00	0.95	0.80	1.00	1.00	0.86	0.71		

IDB: Entering Indoor Dry Bulb Temperature  
 High and low pressures are measured at the liquid and suction service valves.  
 Shaded area reflects AHRI Rating Conditions.  
 kW = Total system power  
 Amps = Outdoor unit amps (compressor + fan)

IDB	AIRFLOW	OUTDOOR AMBIENT TEMPERATURE												ENTERING INDOOR WET BULB TEMPERATURE												
		65°F				75°F				85°F				95°F				105°F				115°F				
		59	63	67	71	59	63	67	71	59	63	67	71	59	63	67	71	59	63	67	71	59	63	67	71	
70	1400	MBh	45.9	46.5	47.9	-	45.5	46.1	47.5	-	44.3	44.9	46.3	-	42.2	42.9	44.2	-	39.8	40.4	41.8	-	37.5	38.1	39.5	-
		S/T	0.66	0.59	0.45	-	0.67	0.59	0.46	-	0.69	0.62	0.48	-	0.71	0.64	0.50	-	1.00	0.66	0.52	-	1.00	0.71	0.57	-
	ΔT	19	17	14	-	19	17	14	-	19	17	14	-	19	17	14	-	19	17	13	-	20	18	15	-	
	kW	2.69	2.69	2.69	-	3.01	3.01	3.00	-	3.36	3.36	3.35	-	3.74	3.74	3.73	-	4.16	4.16	4.15	-	4.66	4.66	4.65	-	
	Amps	9.9	9.9	9.8	-	11.3	11.3	11.3	-	12.9	12.9	12.9	-	14.7	14.6	14.6	-	16.6	16.6	16.6	-	18.9	18.9	18.8	-	
	HI PR	249	250	252	-	288	289	290	-	328	330	331	-	372	373	375	-	420	421	423	-	470	471	473	-	
	LO PR	121	122	125	-	128	129	132	-	134	136	139	-	140	141	144	-	145	146	149	-	151	153	156	-	
	MBh	46.7	47.3	48.7	-	46.3	46.9	48.3	-	45.1	45.7	47.1	-	43.1	43.7	45.1	-	40.6	41.2	42.6	-	38.3	39.0	40.3	-	
	S/T	0.70	0.62	0.49	-	0.70	0.63	0.49	-	0.73	0.65	0.52	-	0.75	0.67	0.54	-	1.00	0.69	0.56	-	1.00	0.75	0.61	-	
	ΔT	18	16	13	-	18	16	13	-	18	16	13	-	18	16	13	-	18	16	12	-	19	17	13	-	
kW	2.71	2.71	2.70	-	3.02	3.02	3.02	-	3.37	3.37	3.37	-	3.75	3.75	3.75	-	4.18	4.18	4.17	-	4.68	4.67	4.67	-		
Amps	9.9	9.9	9.9	-	11.4	11.4	11.3	-	13.0	13.0	13.0	-	14.7	14.7	14.7	-	16.7	16.7	16.6	-	18.9	18.9	18.9	-		
HI PR	251	252	254	-	290	291	293	-	331	332	334	-	375	376	377	-	422	423	425	-	473	474	475	-		
LO PR	123	124	127	-	130	132	135	-	136	138	141	-	142	143	146	-	147	149	152	-	154	155	158	-		
MBh	47.7	48.4	49.7	-	47.3	47.9	49.3	-	46.1	46.8	48.1	-	44.1	44.7	46.1	-	41.6	42.2	43.6	-	39.3	40.0	41.3	-		
S/T	0.71	0.63	0.50	-	0.71	0.64	0.50	-	0.74	0.66	0.53	-	1.00	0.68	0.55	-	1.00	0.70	0.57	-	1.00	0.75	0.62	-		
ΔT	17	15	12	-	17	15	12	-	17	15	12	-	17	15	12	-	17	15	11	-	18	16	13	-		
kW	2.72	2.72	2.71	-	3.04	3.03	3.03	-	3.39	3.39	3.38	-	3.77	3.77	3.76	-	4.19	4.19	4.18	-	4.69	4.69	4.68	-		
Amps	10.0	10.0	10.0	-	11.4	11.4	11.4	-	13.1	13.0	13.0	-	14.8	14.8	14.8	-	16.7	16.7	16.7	-	19.0	19.0	19.0	-		
HI PR	253	255	256	-	292	293	295	-	333	334	336	-	377	378	380	-	424	426	427	-	475	476	478	-		
LO PR	125	127	130	-	133	134	137	-	139	141	144	-	144	146	149	-	150	151	154	-	156	158	161	-		
75	1400	MBh	45.9	46.5	47.9	50.0	45.5	46.1	47.5	49.5	44.3	44.9	46.3	48.4	42.3	42.9	44.3	46.3	39.8	40.4	41.8	43.8	37.5	38.2	39.5	41.6
		S/T	0.79	0.71	0.58	0.44	0.80	0.72	0.59	0.44	1.00	0.75	0.61	0.47	1.00	0.76	0.63	0.49	1.00	0.79	0.65	0.51	1.00	0.84	0.70	0.56
	ΔT	23	21	18	14	23	21	18	14	23	21	18	14	23	21	18	14	23	21	17	14	24	22	19	15	
	kW	2.69	2.69	2.68	2.71	3.01	3.00	3.00	3.02	3.36	3.35	3.35	3.37	3.74	3.73	3.73	3.75	4.16	4.16	4.15	4.18	4.66	4.66	4.65	4.67	
	Amps	9.9	9.9	9.8	9.9	11.3	11.3	11.3	11.4	12.9	12.9	12.9	13.0	14.6	14.6	14.6	14.7	16.6	16.6	16.6	16.7	18.9	18.9	18.8	18.9	
	HI PR	249	250	252	256	288	289	291	295	329	330	331	336	373	374	375	380	420	421	423	427	470	472	473	478	
	LO PR	121	122	125	130	128	129	132	137	134	136	139	144	140	141	144	149	145	146	149	154	151	153	156	161	
	MBh	46.7	47.4	48.7	50.8	46.3	47.0	48.3	50.4	45.1	45.8	47.1	49.2	43.1	43.7	45.1	47.2	40.6	41.3	42.6	44.7	38.3	39.0	40.3	42.4	
	S/T	0.83	0.75	0.62	0.47	0.83	0.76	0.62	0.48	1.00	0.78	0.65	0.51	1.00	0.80	0.67	0.52	1.00	0.82	0.69	0.55	1.00	1.00	0.74	0.60	
	ΔT	22	20	17	13	22	20	17	13	22	20	17	13	22	20	17	13	22	20	16	13	23	21	18	14	
kW	2.71	2.70	2.70	2.72	3.02	3.02	3.01	3.04	3.37	3.37	3.36	3.39	3.75	3.75	3.74	3.77	4.18	4.17	4.17	4.19	4.67	4.67	4.67	4.69		
Amps	9.9	9.9	9.9	10.0	11.4	11.4	11.3	11.4	13.0	13.0	12.9	13.1	14.7	14.7	14.7	14.8	16.7	16.6	16.6	16.7	18.9	18.9	18.9	19.0		
HI PR	251	252	254	258	290	291	293	297	331	332	334	338	375	376	378	382	422	423	425	429	473	474	476	480		
LO PR	123	124	127	132	130	132	135	140	137	138	141	146	142	143	146	151	147	149	152	157	154	155	158	163		
MBh	47.7	48.4	49.7	51.8	47.3	48.0	49.3	51.4	46.2	46.8	48.1	50.2	44.1	44.8	46.1	48.2	41.6	42.3	43.6	45.7	39.4	40.0	41.4	43.4		
S/T	0.83	0.76	0.62	0.48	0.84	0.76	0.63	0.49	1.00	0.79	0.65	0.51	1.00	0.81	0.67	0.53	1.00	0.83	0.70	0.55	1.00	1.00	0.75	0.61		
ΔT	21	19	16	12	21	19	16	12	21	19	16	12	21	19	16	12	21	19	15	12	22	20	17	13		
kW	2.72	2.72	2.71	2.74	3.03	3.03	3.03	3.05	3.39	3.38	3.38	3.40	3.77	3.76	3.76	3.78	4.19	4.19	4.18	4.21	4.69	4.69	4.68	4.70		
Amps	10.0	10.0	10.0	10.1	11.4	11.4	11.4	11.5	13.0	13.0	13.0	13.1	14.8	14.7	14.7	14.9	16.7	16.7	16.7	16.8	19.0	19.0	19.0	19.1		
HI PR	254	255	257	261	293	294	295	300	333	334	336	341	377	378	380	384	425	426	427	432	475	476	478	482		
LO PR	126	127	130	135	133	134	137	142	139	141	144	149	144	146	149	154	150	151	154	159	156	158	161	166		

IDB: Entering Indoor Dry Bulb Temperature  
 High and low pressures are measured at the liquid and suction service valves.  
 Shaded area reflects ACCA (TVA) Rating Conditions.  
 Amps = Outdoor unit amps (compressor + fan)  
 kW = Total system power



IDB	AIRFLOW	OUTDOOR AMBIENT TEMPERATURE												105°F												115°F																
		65°F						75°F						85°F						95°F						105°F						115°F										
		59	63	67	71	75	79	59	63	67	71	75	79	59	63	67	71	75	79	59	63	67	71	75	79	59	63	67	71	75	79	59	63	67	71	75	79					
80	1400	MBh	46.1	46.8	48.1	50.2	45.7	46.4	47.7	49.8	44.5	45.2	46.5	48.6	42.5	43.1	44.5	46.6	40.0	40.7	42.0	44.1	37.8	38.4	39.7	41.8	40.0	40.7	42.0	44.1	37.8	38.4	39.7	41.8	40.0	40.7	42.0	44.1	37.8	38.4	39.7	41.8
		S/T	0.91	0.84	0.70	0.56	1.00	0.84	0.71	0.57	1.00	0.87	0.73	0.59	1.00	0.89	0.75	0.61	1.00	1.00	1.00	0.78	0.63	1.00	1.00	0.83	0.69	1.00	1.00	0.78	0.63	1.00	1.00	0.83	0.69	1.00	1.00	0.78	0.63	1.00	1.00	0.83
	ΔT	27	25	22	18	27	25	22	18	27	26	22	19	27	25	22	18	27	27	25	22	18	28	26	23	19	27	25	22	18	27	25	22	18	27	25	22	18	27	25	22	18
	kW	2.69	2.69	2.69	2.71	3.01	3.01	3.00	3.02	3.04	3.36	3.36	3.35	3.37	3.74	3.74	3.73	3.75	4.16	4.16	4.15	4.18	4.66	4.66	4.65	4.68	4.16	4.16	4.15	4.18	4.66	4.66	4.65	4.68	4.16	4.16	4.15	4.18	4.66	4.66	4.65	4.68
	Amps	9.9	9.9	9.8	9.9	11.3	11.3	11.3	11.4	12.9	12.9	12.9	13.0	14.7	14.7	14.6	14.6	14.7	16.6	16.6	16.6	16.6	18.9	18.9	18.8	18.9	16.6	16.6	16.6	16.6	18.9	18.9	18.8	18.9	16.6	16.6	16.6	16.6	18.9	18.9	18.8	18.9
	HI PR	249	250	252	257	288	289	291	295	329	330	332	336	373	374	376	380	420	420	421	423	427	471	472	474	478	420	421	423	427	471	472	474	478	420	421	423	427	471	472	474	478
	LO PR	121	123	126	131	128	130	133	138	135	136	139	144	140	142	145	150	145	145	147	150	155	152	153	156	162	145	147	150	155	152	153	156	162	145	147	150	155	152	153	156	162
	1600	MBh	47.0	47.6	48.9	51.0	46.6	47.2	48.5	50.6	45.4	46.0	47.4	49.4	43.3	44.0	45.3	47.4	40.8	41.5	42.8	44.9	38.6	39.2	40.6	42.6	40.8	41.5	42.8	44.9	38.6	39.2	40.6	42.6	40.8	41.5	42.8	44.9	38.6	39.2	40.6	42.6
		S/T	1.00	0.88	0.74	0.60	1.00	0.88	0.75	0.60	1.00	0.91	0.77	0.63	1.00	0.93	0.79	0.65	1.00	1.00	0.81	0.67	1.00	1.00	0.86	0.72	1.00	1.00	0.81	0.67	1.00	1.00	0.86	0.72	1.00	1.00	0.81	0.67	1.00	1.00	0.86	0.72
	ΔT	26	24	21	17	26	24	21	17	26	25	21	17	26	24	21	17	26	26	24	21	17	27	25	22	18	26	24	21	17	26	24	21	17	26	24	21	17	26	24	21	17
kW	2.71	2.71	2.70	2.72	3.02	3.02	3.02	3.04	3.37	3.37	3.37	3.39	3.75	3.75	3.75	3.77	4.18	4.18	4.17	4.19	4.68	4.68	4.67	4.69	3.75	3.75	3.75	3.77	4.18	4.18	4.67	4.69	3.75	3.75	3.75	3.77	4.18	4.18	4.67	4.69		
Amps	9.9	9.9	9.9	10.0	11.4	11.4	11.3	11.5	13.0	13.0	13.0	13.1	14.7	14.7	14.7	14.8	16.7	16.7	16.6	16.7	18.9	18.9	18.9	19.0	14.7	14.7	14.7	14.8	16.7	16.7	16.6	16.7	14.7	14.7	14.7	14.8	16.7	16.7	16.6	16.7		
HI PR	252	253	255	259	291	292	293	298	331	333	334	339	375	376	378	382	423	424	426	430	473	474	476	480	423	424	426	430	473	474	476	480	423	424	426	430	473	474	476	480		
LO PR	123	125	128	133	131	132	135	140	137	138	142	147	142	144	147	152	148	149	152	157	154	156	159	164	148	149	152	157	154	156	159	164	148	149	152	157	154	156	159	164		
1800	MBh	48.0	48.6	50.0	52.0	47.6	48.2	49.6	51.6	46.4	47.0	48.4	50.4	44.4	45.0	46.3	48.4	41.9	42.5	43.9	45.9	39.6	40.2	41.6	43.7	41.9	42.5	43.9	45.9	39.6	40.2	41.6	43.7	41.9	42.5	43.9	45.9	39.6	40.2	41.6	43.7	
	S/T	1.00	0.88	0.75	0.61	1.00	0.89	0.75	0.61	1.00	0.91	0.78	0.64	1.00	1.00	0.80	0.66	1.00	1.00	0.82	0.68	1.00	1.00	0.87	0.73	1.00	1.00	0.82	0.68	1.00	1.00	0.87	0.73	1.00	1.00	0.82	0.68	1.00	1.00	0.87	0.73	
ΔT	25	23	20	16	25	23	20	16	25	24	20	17	25	23	20	16	25	25	23	20	16	26	24	21	17	25	23	20	16	25	23	20	16	25	23	20	16	25	23	20	16	
kW	2.72	2.72	2.71	2.74	3.04	3.03	3.03	3.05	3.39	3.39	3.38	3.40	3.77	3.76	3.76	3.78	4.19	4.19	4.18	4.21	4.69	4.69	4.68	4.71	3.76	3.76	3.76	3.78	4.19	4.19	4.68	4.71	3.76	3.76	3.76	3.78	4.19	4.19	4.68	4.71		
Amps	10.0	10.0	10.0	10.1	11.4	11.4	11.4	11.5	13.1	13.0	13.0	13.1	14.8	14.8	14.8	14.9	16.7	16.7	16.7	16.8	19.0	19.0	19.0	19.1	14.8	14.8	14.8	14.9	16.7	16.7	16.6	16.7	14.8	14.8	14.8	14.9	16.7	16.7	16.6	16.7		
HI PR	254	255	257	261	293	294	296	300	334	335	337	341	378	379	381	385	425	426	428	432	476	477	478	483	425	426	428	432	476	477	478	483	425	426	428	432	476	477	478	483		
LO PR	126	128	131	136	133	135	138	143	140	141	144	149	145	146	149	155	150	152	155	160	157	158	161	166	149	151	154	159	157	158	161	166	149	151	154	159	157	158	161	166		
85	1400	MBh	46.9	47.5	48.9	50.9	46.5	47.1	48.5	50.5	45.3	45.9	47.3	49.4	43.3	43.9	45.3	47.3	40.8	41.4	42.8	44.8	38.5	39.2	40.5	42.6	40.8	41.4	42.8	44.8	38.5	39.2	40.5	42.6	40.8	41.4	42.8	44.8	38.5	39.2	40.5	42.6
		S/T	1.00	0.94	0.80	0.66	1.00	0.95	0.81	0.67	1.00	1.00	0.84	0.69	1.00	1.00	0.85	0.71	1.00	1.00	0.88	0.73	1.00	1.00	0.93	0.79	1.00	1.00	0.88	0.73	1.00	1.00	0.93	0.79	1.00	1.00	0.88	0.73	1.00	1.00	0.93	0.79
	ΔT	31	29	26	22	31	29	26	22	31	29	26	22	31	29	26	22	31	30	28	24	21	32	30	26	23	31	29	26	22	31	29	26	23	31	29	26	22	31	29	26	23
	kW	2.70	2.70	2.69	2.72	3.01	3.01	3.01	3.03	3.36	3.36	3.36	3.38	3.74	3.74	3.74	3.76	4.17	4.17	4.16	4.18	4.67	4.66	4.66	4.68	3.74	3.74	3.74	3.76	4.17	4.17	4.66	4.68	3.74	3.74	3.74	3.76	4.17	4.17	4.66	4.68	
	Amps	9.9	9.9	9.9	10.0	11.3	11.3	11.3	11.4	12.9	12.9	12.9	13.0	14.7	14.7	14.6	14.8	16.6	16.6	16.6	16.7	18.9	18.9	18.9	19.0	14.7	14.7	14.6	14.8	16.6	16.6	16.6	16.7	14.7	14.7	14.6	14.8	16.6	16.6	16.6	16.7	
	HI PR	251	252	253	258	290	291	292	297	330	331	333	337	374	375	377	381	422	423	424	429	472	473	475	479	422	423	424	429	472	473	475	479	422	423	424	429	472	473	475	479	
	LO PR	123	124	128	133	130	132	135	140	137	138	141	146	142	143	146	151	147	149	152	157	154	155	158	163	147	149	152	157	154	155	158	163	147	149	152	157	154	155	158	163	
	1600	MBh	47.7	48.4	49.7	51.8	47.3	48.0	49.3	51.4	46.1	46.8	48.1	50.2	44.1	44.7	46.1	48.2	41.6	42.3	43.6	45.7	39.3	40.0	41.3	43.4	41.6	42.3	43.6	45.7	39.3	40.0	41.3	43.4	41.6	42.3	43.6	45.7	39.3	40.0	41.3	43.4
		S/T	1.00	0.98	0.84	0.70	1.00	0.98	0.85	0.71	1.00	1.00	0.87	0.73	1.00	1.00	0.89	0.75	1.00	1.00	0.91	0.77	1.00	1.00	1.00	0.82	1.00	1.00	0.91	0.77	1.00	1.00	1.00	0.82	1.00	1.00	0.91	0.77	1.00	1.00	1.00	0.82
	ΔT	30	28	25	21	30	28	24	21	30	28	25	21	30	28	24	21	30	30	28	24	21	31	29	25	22	30	28	24	21	31	29	25	22	30	28	24	21	31	29	25	22
kW	2.71	2.71	2.71	2.73	3.03	3.03	3.02	3.05	3.38	3.38	3.37	3.40	3.76	3.76	3.75	3.78	4.18	4.18	4.18	4.20	4.68	4.68	4.66	4.70	3.76	3.76	3.75	3.78	4.18	4.18	4.68	4.70	3.76	3.76	3.75	3.78	4.18	4.18	4.68	4.70		
Amps	10.0	10.0	9.9	10.0	11.4	11.4	11.4	11.5	13.0	13.0	13.0	13.1	14.8	14.7	14.7	14.8	16.7	16.7	16.7	16.8	19.0	19.0	18.9	19.0	14.8	14.7	14.7	14.8	16.7	16.7	16.8	19.0	14.8	14.7	14.7	1						

IDB	AIRFLOW	OUTDOOR AMBIENT TEMPERATURE																								
		65°F				75°F				85°F				95°F				105°F				115°F				
		59	63	67	71	59	63	67	71	59	63	67	71	59	63	67	71	59	63	67	71	59	63	67	71	
70	1790	MBh	58.2	59.0	60.8	-	57.7	58.5	60.3	-	56.2	57.0	58.8	-	53.6	54.5	56.2	-	50.5	51.3	53.0	-	47.6	48.4	50.1	-
		S/T	0.67	0.59	0.46	-	0.67	0.60	0.46	-	0.70	0.62	0.49	-	0.72	0.64	0.51	-	0.74	0.67	0.53	-	1.00	0.72	0.58	-
	ΔT	19	17	14	-	19	17	14	-	19	17	14	-	19	17	14	-	19	17	13	-	20	18	14	-	
	kW	3.35	3.35	3.34	-	3.78	3.78	3.77	-	4.25	4.25	4.24	-	4.76	4.76	4.75	-	5.34	5.33	5.33	-	6.01	6.00	6.00	-	
	Amps	13.2	13.2	13.1	-	15.1	15.1	15.1	-	17.3	17.3	17.2	-	19.6	19.6	19.6	-	22.2	22.2	22.2	-	25.3	25.3	25.3	-	
	HI PR	258	259	261	-	298	299	301	-	340	341	343	-	386	387	389	-	435	436	438	-	487	488	490	-	
	LO PR	116	118	121	-	123	125	128	-	130	131	134	-	135	136	139	-	140	141	144	-	146	148	150	-	
	2000	MBh	59.1	59.9	61.6	-	58.6	59.4	61.1	-	57.1	57.9	59.6	-	54.5	55.3	57.0	-	51.3	52.1	53.9	-	48.4	49.3	51.0	-
		S/T	0.70	0.62	0.49	-	0.71	0.63	0.49	-	0.73	0.66	0.52	-	0.75	0.68	0.54	-	0.77	0.70	0.56	-	1.00	0.75	0.61	-
	ΔT	18	16	13	-	18	16	13	-	18	16	13	-	18	16	13	-	18	16	12	-	19	17	14	-	
kW	3.37	3.37	3.36	-	3.80	3.79	3.79	-	4.27	4.27	4.26	-	4.78	4.78	4.77	-	5.35	5.35	5.34	-	6.03	6.02	6.01	-		
Amps	13.2	13.2	13.2	-	15.2	15.2	15.1	-	17.4	17.3	17.3	-	19.7	19.7	19.6	-	22.3	22.3	22.3	-	25.4	25.4	25.3	-		
HI PR	260	261	263	-	300	301	303	-	342	343	345	-	388	389	391	-	437	438	440	-	489	490	492	-		
LO PR	118	120	123	-	125	127	130	-	131	133	136	-	136	138	141	-	142	143	146	-	148	149	152	-		
2250	MBh	60.3	61.1	62.8	-	59.8	60.6	62.3	-	58.3	59.1	60.8	-	55.7	56.5	58.2	-	52.5	53.4	55.1	-	49.7	50.5	52.2	-	
	S/T	0.71	0.64	0.50	-	0.72	0.64	0.51	-	0.75	0.67	0.53	-	0.76	0.69	0.55	-	1.00	0.71	0.57	-	1.00	0.76	0.63	-	
ΔT	17	15	12	-	17	15	12	-	17	15	12	-	17	15	12	-	17	15	11	-	18	16	13	-		
kW	3.39	3.39	3.38	-	3.81	3.81	3.80	-	4.29	4.28	4.28	-	4.80	4.80	4.79	-	5.37	5.37	5.36	-	6.04	6.04	6.03	-		
Amps	13.3	13.3	13.3	-	15.3	15.3	15.2	-	17.4	17.4	17.4	-	19.8	19.8	19.7	-	22.4	22.4	22.4	-	25.5	25.5	25.4	-		
HI PR	262	263	265	-	302	303	305	-	345	346	347	-	390	391	393	-	439	440	442	-	491	492	494	-		
LO PR	121	122	125	-	128	129	132	-	134	135	138	-	139	140	143	-	144	145	148	-	150	152	155	-		

75	1790	MBh	58.3	59.1	60.8	63.4	57.8	58.6	60.3	62.9	56.3	57.1	58.8	61.4	53.7	54.5	56.2	58.8	50.5	51.3	53.0	55.7	47.6	48.4	50.2	52.8
		S/T	0.80	0.72	0.59	0.44	0.80	0.73	0.59	0.45	0.83	0.75	0.62	0.47	1.00	0.71	0.64	0.49	1.00	0.79	0.66	0.52	1.00	0.85	0.71	0.57
	ΔT	23	21	18	14	23	21	18	14	23	21	18	14	23	21	18	14	23	21	17	14	24	22	19	15	
	kW	3.35	3.35	3.34	3.37	3.78	3.77	3.77	3.80	4.25	4.25	4.24	4.27	4.76	4.76	4.75	4.78	5.33	5.33	5.32	5.36	6.01	6.00	5.99	6.03	
	Amps	13.2	13.1	13.1	13.3	15.1	15.1	15.0	15.2	17.3	17.2	17.2	17.4	19.6	19.6	19.6	19.7	22.2	22.2	22.2	22.3	25.3	25.3	25.2	25.4	
	HI PR	258	259	261	265	298	299	301	306	340	341	343	348	386	387	389	393	435	436	438	442	487	488	490	495	
	LO PR	116	118	121	126	123	125	128	133	130	131	134	139	135	136	139	144	140	141	144	149	146	148	150	155	
	2000	MBh	59.1	59.9	61.6	64.3	58.6	59.4	61.1	63.8	57.1	57.9	59.6	62.3	54.5	55.3	57.0	59.7	51.4	52.2	53.9	56.5	48.5	49.3	51.0	53.6
		S/T	0.83	0.75	0.62	0.47	0.84	0.76	0.62	0.48	0.86	0.79	0.65	0.51	1.00	0.81	0.67	0.53	1.00	0.83	0.69	0.55	1.00	0.88	0.74	0.60
	ΔT	22	20	17	13	22	20	17	13	22	20	17	13	22	20	17	13	22	20	16	13	23	21	18	14	
kW	3.37	3.37	3.36	3.39	3.79	3.79	3.78	3.82	4.27	4.26	4.26	4.29	4.78	4.78	4.77	4.80	5.35	5.35	5.34	5.37	6.02	6.02	6.01	6.04		
Amps	13.2	13.2	13.2	13.3	15.2	15.2	15.1	15.3	17.3	17.3	17.3	17.4	19.7	19.7	19.6	19.8	22.3	22.3	22.3	22.4	25.4	25.4	25.3	25.5		
HI PR	260	261	263	267	300	301	303	307	342	343	345	350	388	389	391	395	437	438	440	444	489	490	492	497		
LO PR	118	120	123	127	125	127	130	134	131	133	136	141	136	138	141	146	142	143	146	151	148	149	152	157		
2250	MBh	60.3	61.1	62.9	65.5	59.8	60.6	62.3	65.0	58.3	59.1	60.8	63.5	55.7	56.5	58.3	60.9	52.6	53.4	55.1	57.7	49.7	50.5	52.2	54.9	
	S/T	0.84	0.77	0.63	0.49	0.85	0.77	0.64	0.49	1.00	0.80	0.66	0.52	1.00	0.82	0.68	0.54	1.00	0.84	0.70	0.56	1.00	0.89	0.76	0.61	
ΔT	21	19	16	12	21	19	16	12	21	20	16	12	21	19	16	12	21	19	16	12	22	20	17	13		
kW	3.39	3.38	3.38	3.41	3.81	3.81	3.80	3.83	4.29	4.28	4.27	4.31	4.80	4.79	4.79	4.82	5.37	5.37	5.36	5.39	6.04	6.04	6.03	6.06		
Amps	13.3	13.3	13.3	13.4	15.3	15.2	15.2	15.4	17.4	17.4	17.4	17.5	19.8	19.8	19.7	19.9	22.4	22.4	22.3	22.5	25.5	25.4	25.4	25.6		
HI PR	262	263	265	270	303	304	305	310	345	346	348	352	390	391	393	398	439	440	442	447	492	493	495	499		
LO PR	121	122	125	130	128	129	132	137	134	135	138	143	139	140	143	148	144	145	148	153	150	152	155	160		

IDB: Entering Indoor Dry Bulb Temperature  
 High and low pressures are measured at the liquid and suction service valves.  
 Shaded area reflects ACCA (TVA) Rating Conditions.  
 Amps = Outdoor unit amps (compressor + fan)  
 kW = Total system power

IDB	AIRFLOW	OUTDOOR AMBIENT TEMPERATURE												105°F												115°F																																		
		65°F						75°F						85°F						95°F						105°F						115°F																												
		59	63	67	71	75	79	59	63	67	71	75	79	59	63	67	71	75	79	59	63	67	71	75	79	59	63	67	71	75	79	59	63	67	71	75	79																							
80	1790	MBh	58.6	59.4	61.1	63.7	58.1	58.9	60.6	63.2	65.8	68.4	56.6	57.4	59.1	61.7	64.3	66.9	54.0	54.8	56.5	59.1	61.7	64.3	50.8	51.6	53.3	56.0	58.6	61.2	47.9	48.7	50.5	53.1	55.7	58.3	1.00	0.92	0.85	0.78	0.71	0.64	1.00	0.92	0.85	0.78	0.71	0.64	1.00	0.92	0.85	0.78	0.71	0.64	1.00	0.92	0.85	0.78	0.71	0.64
		S/T	0.92	0.85	0.71	0.57	1.00	0.85	0.72	0.57	1.00	0.88	0.74	1.00	0.88	0.74	0.60	1.00	0.90	1.00	0.90	0.76	0.62	1.00	0.90	1.00	0.92	0.85	0.78	0.71	0.64	1.00	0.92	0.85	0.78	0.71	0.64	1.00	0.92	0.85	0.78	0.71	0.64	1.00	0.92	0.85	0.78	0.71	0.64											
	ΔT	27	25	22	18	27	25	22	18	27	25	22	27	25	22	18	27	25	27	25	22	18	27	25	27	25	22	18	27	25	27	25	22	18	27	25	27	25	22	18	27	25	27	25	22	18	27	25	27	25	22	18	27	25						
	kW	3.35	3.35	3.34	3.38	3.78	3.78	3.77	3.80	4.25	4.25	4.24	4.25	4.25	4.24	4.27	4.76	4.76	4.76	4.76	4.75	4.79	5.34	5.33	5.34	5.33	5.33	5.36	6.01	6.00	6.01	6.00	6.00	6.03	6.03	6.03	25.3	25.3	25.3	25.3	25.3	25.3	25.3	25.3	25.3	25.3	25.3	25.3	25.3	25.3	25.3	25.3	25.3	25.3						
	Amps	13.2	13.1	13.1	13.3	15.1	15.1	15.1	15.2	17.3	17.3	17.2	17.3	17.3	17.2	17.4	19.6	19.6	19.6	19.6	19.6	19.7	22.2	22.2	22.2	22.2	22.2	22.3	25.3	25.3	25.3	25.3	25.3	25.3	25.3	25.3	25.3	25.3	25.3	25.3	25.3	25.3																		
	HI PR	258	259	261	266	299	300	302	306	341	342	344	344	344	344	348	386	387	389	394	435	436	443	443	443	436	438	443	488	489	489	491	491	495	495	495	488	489	491	495	495	495	488	489	491	495	495	495												
	LO PR	117	118	121	126	124	125	128	133	130	131	134	134	134	134	139	135	137	140	144	140	144	144	145	145	144	145	150	147	148	148	148	148	151	151	151	148	148	148	151	151	151																		
	MBh	59.4	60.2	61.9	64.6	58.9	59.7	61.4	64.1	57.4	58.2	59.9	62.6	65.2	67.8	70.4	73.0	75.6	54.8	55.6	57.3	60.0	62.6	65.2	51.7	52.5	54.2	56.8	59.4	62.0	48.8	49.6	51.3	53.9	56.5	59.1	48.8	49.6	51.3	53.9	56.5	59.1																		
	S/T	0.96	0.88	0.74	0.60	1.00	0.89	0.75	0.61	1.00	0.91	0.78	0.63	1.00	0.93	0.79	0.65	1.00	0.93	0.79	0.65	1.00	0.93	0.79	1.00	0.95	0.82	0.67	1.00	1.00	1.00	1.00	1.00	0.87	0.73	0.59	1.00	1.00	1.00	0.87	0.73	0.59																		
	ΔT	26	24	21	17	26	24	21	17	26	25	21	18	26	24	21	17	26	24	24	21	17	26	24	21	26	24	21	17	27	25	27	25	22	18	27	25	27	25	22	18	27	25																	
kW	3.37	3.37	3.36	3.39	3.80	3.79	3.79	3.82	4.27	4.27	4.26	4.29	4.78	4.77	4.80	5.35	5.35	5.34	5.34	5.34	5.38	6.02	6.02	6.02	6.02	6.02	6.03	6.02	6.01	6.05	6.05	6.05	6.05	6.05	6.05	6.02	6.02	6.02	6.03	6.03	6.03																			
Amps	13.2	13.2	13.2	13.3	15.2	15.2	15.1	15.3	17.4	17.3	17.3	17.5	19.7	19.6	19.8	22.3	22.3	22.3	22.3	22.3	22.3	25.4	25.4	25.4	25.4	25.4	25.4	25.4	25.4	25.4	25.4	25.4	25.4	25.4	25.4	25.4	25.4	25.4	25.4	25.4	25.4																			
HI PR	260	261	263	268	301	302	304	308	343	344	346	350	388	389	391	396	437	438	440	445	445	490	491	493	497	497	497	493	493	493	493	493	497	497	497	490	491	493	497	497	497																			
LO PR	119	120	123	128	126	127	130	135	132	133	136	141	137	138	141	146	142	143	146	151	151	148	148	148	143	146	151	148	148	148	148	148	153	153	153	148	148	148	153	153	153																			
MBh	60.6	61.4	63.2	65.8	60.1	60.9	62.6	65.3	58.6	59.4	61.1	63.8	66.4	69.0	71.6	74.2	76.8	56.0	56.8	58.6	61.2	63.8	66.4	52.9	53.7	55.4	58.0	60.6	63.2	50.0	50.8	52.5	55.1	57.7	60.3	50.0	50.8	52.5	55.1	57.7	60.3																			
S/T	0.97	0.89	0.76	0.61	1.00	0.90	0.76	0.62	1.00	0.92	0.79	0.64	1.00	0.94	0.81	0.66	1.00	0.94	0.81	0.66	1.00	0.94	0.81	1.00	1.00	0.83	0.69	1.00	1.00	1.00	1.00	1.00	0.88	0.74	0.60	1.00	1.00	1.00	0.88	0.74	0.60																			
ΔT	25	23	20	16	25	23	20	16	25	24	20	17	25	23	20	16	25	23	20	16	25	23	20	16	25	23	20	16	26	24	26	24	21	17	27	25	27	25	22	18	27	25																		
kW	3.39	3.39	3.38	3.41	3.81	3.81	3.80	3.84	4.29	4.28	4.28	4.31	4.80	4.79	4.82	5.37	5.37	5.36	5.36	5.36	5.39	6.04	6.04	6.04	6.04	6.04	6.06	6.04	6.03	6.06	6.06	6.06	6.06	6.06	6.06	6.04	6.04	6.04	6.06	6.06	6.06																			
Amps	13.3	13.3	13.3	13.4	15.3	15.3	15.2	15.4	17.4	17.4	17.4	17.5	19.8	19.7	19.9	22.4	22.4	22.4	22.4	22.4	22.4	25.5	25.5	25.5	25.5	25.5	25.5	25.5	25.5	25.5	25.5	25.5	25.5	25.5	25.5	25.5	25.5	25.5	25.5	25.5	25.5																			
HI PR	263	264	266	270	303	304	306	310	345	346	348	353	391	392	394	398	440	441	443	447	447	492	493	495	499	499	499	493	493	493	493	493	497	497	497	490	491	493	497	497	497																			
LO PR	121	123	125	130	128	129	132	137	134	136	139	143	139	141	144	149	144	146	149	154	154	151	151	151	146	149	154	151	151	151	151	151	155	155	155	151	152	152	155	155	155																			
85	1790	MBh	59.5	60.3	62.1	64.7	59.0	59.8	61.6	64.2	66.8	69.4	57.5	58.3	60.1	62.7	65.3	67.9	54.9	55.8	57.5	60.1	62.7	65.3	51.8	52.6	54.3	56.9	59.5	62.1	48.9	49.7	51.4	54.1	56.7	59.3	1.00	0.95	0.81	0.67	1.00	0.89	0.74	1.00	0.89	0.74	1.00	0.89	0.74	1.00	0.89	0.74	1.00	0.89	0.74					
		S/T	1.00	0.95	0.81	0.67	1.00	0.96	0.82	0.68	1.00	0.98	0.84	0.70	1.00	0.98	0.84	0.70	1.00	0.98	0.84	0.70	1.00	0.98	0.84	1.00	1.00	0.89	0.74	1.00	1.00	1.00	1.00	1.00	0.94	0.79	0.64	1.00	1.00	1.00	0.94	0.79	0.64																	
	ΔT	31	29	25	22	31	29	25	22	31	29	26	22	31	29	26	22	31	29	26	22	31	29	26	30	29	25	22	32	30	32	30	26	23	32	30	32	30	26	23	32	30																		
	kW	3.36	3.36	3.35	3.38	3.79	3.78	3.78	3.81	4.26	4.26	4.25	4.28	4.77	4.76	4.79	5.34	5.34	5.33	5.33	5.33	5.37	6.02	6.02	6.02	6.02	6.02	6.04	6.02	6.01	6.04	6.04	6.04	6.04	6.04	6.04	6.02	6.02	6.02	6.04	6.04	6.04																		
	Amps	13.2	13.2	13.2	13.3	15.1	15.1	15.1	15.2	17.3	17.3	17.3	17.4	19.7	19.6	19.8	22.3	22.3	22.3	22.3	22.3	22.3	25.3	25.3	25.3	25.3	25.3	25.3	25.3	25.3	25.3	25.3	25.3	25.3	25.3	25.3	25.3	25.3	25.3	25.3	25.3	25.3																		
	HI PR	260	261	262	267	300	301	303	307	342	343	345	349	388	389	390	395	437	438	439	444	444	489	490	492	496	496	496	492	492	492	492	492	496	496	496	489	490	492	496	496	496																		
	LO PR	119	120	123	128	126	127	130	135	132	133	136	141	137	138	141	146	142	143	146	151	151	148	148	148	143	146	151	148	148	148	148	148	153	153	153	148	148	148	153	153	153																		
	MBh	60.4	61.2	62.9	65.5	59.9	60.7	62.4	65.0	58.4	59.2	60.9	63.5	66.1	68.7	71.3	73.9	76.5	55.8	56.6	58.3	60.9	63.5	66.1	52.6	53.4	55.2	57.8	60.4	63.0	49.7	50.6	52.3	54.9	57.5	60.1	49.7	50.6	52.3	54.9	57.5	60.1																		
	S/T	1.00	0.98	0.85	0.70	1.00	0.99	0.85	0.71	1.00	1.00	0.88	0.73	1.00	1.00	0.88	0.73	1.00	0.90	0.90	0.75	1.00	0.90	0.75	1.00	1.00	0.92	0.78	1.00	1.00	1.00	1.00	1.00	0.97	0.83	0.69	1.00	1.00	1.00	0.97	0.83	0.69																		
	ΔT	30	28	25	21	30	28	24	21	30	28	25	21	30	28	25	21	30	28	24	21	30	28	25	30	28</																																		

EXPANDED HEATING DATA

DZ14SA0181A\* / ARUF25B14\*\* + TXV

	OUTDOOR AMBIENT TEMPERATURE																
	65	60	55	50	47	45	40	35	30	25	20	17	15	10	5	0	-5
MBh	23.71	22.11	20.54	18.99	18.00	17.25	15.37	13.65	12.25	11.21	10.42	10.00	9.47	8.13	6.80	5.47	4.13
T/R	36.0	33.6	31.2	28.8	27.3	26.2	23.3	20.7	18.6	17.0	15.8	15.2	14.4	12.3	10.3	8.3	6.3
kW	1.51	1.48	1.45	1.42	1.40	1.39	1.36	1.33	1.30	1.27	1.24	1.22	1.21	1.18	1.15	1.12	1.09
Amps	7.2	6.6	6.1	5.7	5.5	5.3	5.0	4.7	4.4	4.2	4.0	3.8	3.8	3.5	3.3	3.0	2.7
COP	4.60	4.37	4.15	3.92	3.76	3.63	3.31	3.01	2.76	2.59	2.46	2.40	2.29	2.02	1.74	1.43	1.11

DZ14SA0241A\* / ARUF25B14\*\* + TXV

	OUTDOOR AMBIENT TEMPERATURE																
	65	60	55	50	47	45	40	35	30	25	20	17	15	10	5	0	-5
MBh	30.74	28.63	26.55	24.50	23.20	22.20	19.70	17.43	15.59	14.20	13.16	12.60	11.89	10.13	8.36	6.59	4.83
T/R	32.7	30.5	28.3	26.1	24.7	23.6	21.0	18.6	16.6	15.1	14.0	13.4	12.7	10.8	8.9	7.0	5.1
kW	1.97	1.93	1.88	1.84	1.81	1.79	1.75	1.70	1.66	1.61	1.57	1.54	1.52	1.48	1.43	1.39	1.34
Amps	9.1	8.4	7.8	7.2	6.9	6.7	6.3	5.9	5.6	5.3	5.0	4.8	4.7	4.4	4.1	3.7	3.3
COP	4.57	4.36	4.14	3.91	3.76	3.63	3.31	3.00	2.76	2.58	2.46	2.40	2.29	2.01	1.71	1.39	1.05

DZ14SA0301A\* / ARUF29B14\*\* + TXV

	OUTDOOR AMBIENT TEMPERATURE																
	65	60	55	50	47	45	40	35	30	25	20	17	15	10	5	0	-5
MBh	37.15	34.70	32.29	29.92	28.40	27.27	24.40	21.77	19.62	18.03	16.84	16.20	15.39	13.35	11.32	9.29	7.25
T/R	39.5	36.9	34.4	31.8	30.2	29.0	26.0	23.2	20.9	19.2	17.9	17.2	16.4	14.2	12.0	9.9	7.7
kW	2.48	2.42	2.37	2.31	2.27	2.25	2.19	2.14	2.08	2.02	1.96	1.93	1.91	1.85	1.79	1.74	1.68
Amps	11.9	10.9	10.1	9.4	9.0	8.8	8.3	7.8	7.4	7.0	6.6	6.4	6.2	5.8	5.4	5.0	4.5
COP	4.39	4.20	4.00	3.80	3.66	3.55	3.26	2.99	2.77	2.61	2.51	2.46	2.36	2.12	1.85	1.57	1.27

DZ14SA0361A\* - ARUF37C14\*\* + TXV

	OUTDOOR AMBIENT TEMPERATURE																
	65	60	55	50	47	45	40	35	30	25	20	17	15	10	5	0	-5
MBh	42.72	39.94	37.21	34.52	32.80	31.52	28.28	25.30	22.87	21.06	19.72	19.00	18.08	15.78	13.48	11.18	8.88
T/R	37.0	34.6	32.2	29.9	28.4	27.3	24.5	21.9	19.8	18.2	17.1	16.4	15.6	13.7	11.7	9.7	7.7
kW	2.81	2.76	2.71	2.66	2.63	2.61	2.56	2.50	2.45	2.40	2.35	2.32	2.30	2.25	2.20	2.15	2.10
Amps	13.6	12.5	11.6	10.8	10.3	10.0	9.4	8.9	8.4	7.9	7.5	7.3	7.1	6.6	6.2	5.7	5.1
COP	4.46	4.24	4.03	3.81	3.66	3.55	3.24	2.96	2.73	2.57	2.46	2.40	2.30	2.06	1.80	1.53	1.24

DZ14SA0421A\* / ARUF43C14\*\* + TXV

	OUTDOOR AMBIENT TEMPERATURE																
	65	60	55	50	47	45	40	35	30	25	20	17	15	10	5	0	-5
MBh	51.58	48.34	45.15	42.02	40.00	38.54	34.80	31.31	28.47	26.37	24.83	24.00	22.93	20.27	17.60	14.93	12.27
T/R	36.7	34.4	32.2	29.9	28.5	27.5	24.8	22.3	20.3	18.8	17.7	17.1	16.3	14.4	12.5	10.6	8.7
kW	3.41	3.34	3.27	3.21	3.17	3.14	3.08	3.01	2.94	2.88	2.81	2.77	2.74	2.68	2.61	2.54	2.48
Amps	16.4	15.1	14.0	13.0	12.4	12.1	11.4	10.7	10.1	9.5	9.0	8.7	8.5	8.0	7.4	6.8	6.1
COP	4.44	4.24	4.04	3.84	3.70	3.60	3.32	3.05	2.84	2.69	2.59	2.54	2.45	2.22	1.98	1.72	1.45

Calculations are based on nominal CFM and 70°F indoor dry bulb.

Note: Shaded area is AHRI Rating Conditions at 47°F outdoor ambient temperature.

Amps = Outdoor unit amps (comp.+fan)

kW = Total system power

**DZ14SA0421A\* / ARUF43C14\*\* + TXV**

	OUTDOOR AMBIENT TEMPERATURE																
	65	60	55	50	47	45	40	35	30	25	20	17	15	10	5	0	-5
MBh	51.58	48.34	45.15	42.02	40.00	38.54	34.80	31.31	28.47	26.37	24.83	24.00	22.93	20.27	17.60	14.93	12.27
T/R	37.9	35.5	33.2	30.9	29.4	28.3	25.6	23.0	20.9	19.4	18.2	17.6	16.9	14.9	12.9	11.0	9.0
kW	3.41	3.34	3.27	3.21	3.17	3.14	3.08	3.01	2.94	2.88	2.81	2.77	2.74	2.68	2.61	2.54	2.48
Amps	16.5	15.2	14.0	13.0	12.5	12.2	11.4	10.7	10.2	9.6	9.1	8.8	8.6	8.0	7.5	6.8	6.1
COP	4.44	4.24	4.04	3.84	3.70	3.60	3.32	3.05	2.84	2.69	2.59	2.54	2.45	2.22	1.98	1.72	1.45

**DZ14SA0491A\* / ARUF49C14\*\* + TXV**

	OUTDOOR AMBIENT TEMPERATURE																
	65	60	55	50	47	45	40	35	30	25	20	17	15	10	5	0	-5
MBh	56.58	53.20	49.88	46.61	44.50	42.97	39.18	35.56	32.58	30.41	28.84	28.00	26.90	24.15	21.40	18.65	15.90
T/R	33.7	31.7	29.7	27.8	26.5	25.6	23.3	21.2	19.4	18.1	17.2	16.7	16.0	14.4	12.7	11.1	9.5
kW	3.51	3.48	3.44	3.40	3.38	3.36	3.33	3.29	3.25	3.22	3.18	3.16	3.14	3.10	3.07	3.03	2.99
Amps	17.2	15.8	14.6	13.6	13.0	12.6	11.8	11.1	10.5	9.9	9.4	9.0	8.8	8.2	7.6	7.0	6.2
COP	4.72	4.49	4.25	4.02	3.86	3.74	3.45	3.17	2.94	2.77	2.66	2.60	2.51	2.28	2.04	1.80	1.56

**DZ14SA0491A\* / ARUF49C14\*\* + TXV**

	OUTDOOR AMBIENT TEMPERATURE																
	65	60	55	50	47	45	40	35	30	25	20	17	15	10	5	0	-5
MBh	59.32	55.59	51.92	48.32	46.00	44.32	40.01	36.01	32.74	30.32	28.55	27.60	26.37	23.31	20.24	17.17	14.11
T/R	39.2	36.8	34.3	32.0	30.4	29.3	26.5	23.8	21.7	20.1	18.9	18.3	17.4	15.4	13.4	11.4	9.3
kW	3.96	3.87	3.79	3.70	3.64	3.61	3.52	3.43	3.34	3.25	3.16	3.11	3.08	2.99	2.90	2.81	2.72
Amps	19.1	17.5	16.2	15.1	14.5	14.1	13.2	12.4	11.7	11.1	10.5	10.1	9.9	9.3	8.6	7.9	7.1
COP	4.39	4.21	4.02	3.83	3.70	3.60	3.33	3.08	2.87	2.73	2.64	2.60	2.51	2.29	2.05	1.79	1.52

**DZ14SA0601A\* / ASPT61D14\* + TXV**

	OUTDOOR AMBIENT TEMPERATURE																
	65	60	55	50	47	45	40	35	30	25	20	17	15	10	5	0	-5
MBh	75.71	71.04	66.44	61.91	59.00	56.89	51.54	46.52	42.41	39.39	37.18	36.00	34.47	30.63	26.80	22.97	19.13
T/R	38.9	36.5	34.2	31.8	30.3	29.3	26.5	23.9	21.8	20.3	19.1	18.5	17.7	15.8	13.8	11.8	9.8
kW	4.91	4.79	4.67	4.55	4.48	4.43	4.31	4.20	4.08	3.96	3.84	3.77	3.72	3.60	3.48	3.36	3.25
Amps	23.4	21.5	19.8	18.4	17.6	17.2	16.1	15.1	14.3	13.5	12.8	12.3	12.0	11.2	10.4	9.5	8.5
COP	4.52	4.35	4.17	3.99	3.86	3.76	3.50	3.25	3.05	2.92	2.84	2.80	2.71	2.49	2.25	2.00	1.73

Calculations are based on nominal CFM and 70°F indoor dry bulb.

Note: Shaded area is AHRI Rating Conditions at 47°F outdoor ambient temperature.

Amps = Outdoor unit amps (comp.+fan)

kW = Total system power

MODEL: DZ14SA0181K* + ARUF25B14** + TXV				
Conditions: 80 °F IBD, 67 °F IWB @ 610 CFM				
OUTDOOR TEM. ° F.	TOTAL BTU/H	SENSIBLE BTU/H	LATENT BTU/H	TOTAL WATTS
75	18,900	13,986	4,914	1,180
80	18,650	14,077	4,573	1,245
85	18,400	14,168	4,232	1,310
90	18,000	14,036	3,964	1,380
<b>95</b>	<b>17,600</b>	<b>13,904</b>	<b>3,696</b>	<b>1,450</b>
100	17,100	13,675	3,425	1,530
105	16,600	13,446	3,154	1,610
110	16,150	13,474	2,676	1,705
115	15,700	13,502	2,198	1,800
TVA Conditions @ 95° OD DB, 75° ID DB 63° ID WB				
<b>95°</b>	<b>17,000</b>	<b>13,600</b>	<b>3,400</b>	<b>1,450</b>

MODEL: DZ14SA0241K* + ARUF25B14** + TXV				
Conditions: 80 °F IBD, 67 °F IWB @ 870 CFM				
OUTDOOR TEM. ° F.	TOTAL BTU/H	SENSIBLE BTU/H	LATENT BTU/H	TOTAL WATTS
75	25,100	19,076	6,024	1,580
80	25,400	19,093	6,307	1,675
85	24,500	19,110	5,390	1,770
90	24,550	18,915	5,635	1,870
<b>95</b>	<b>23,400</b>	<b>18,720</b>	<b>4,680</b>	<b>1,970</b>
100	23,350	18,532	4,819	2,080
105	22,100	18,343	3,757	2,190
110	22,050	18,368	3,683	2,385
115	20,900	18,392	2,508	2,450
TVA Conditions @ 95° OD DB, 75° ID DB 63° ID WB				
<b>95°</b>	<b>22,600</b>	<b>18,532</b>	<b>4,068</b>	<b>1,970</b>

MODEL: DZ14SA0301K* + ARUF29B14** + TXV				
Conditions: 80 °F IBD, 67 °F IWB @ 870 CFM				
OUTDOOR TEM. ° F.	TOTAL BTU/H	SENSIBLE BTU/H	LATENT BTU/H	TOTAL WATTS
75	29,600	20,720	8,880	1,880
80	29,250	20,764	8,486	1,995
85	28,900	20,808	8,092	2,110
90	28,250	20,616	7,634	2,230
<b>95</b>	<b>27,600</b>	<b>20,424</b>	<b>7,176</b>	<b>2,350</b>
100	26,850	20,130	6,720	2,490
105	26,100	19,836	6,264	2,630
110	25,400	19,922	5,479	2,790
115	24,700	20,007	4,693	2,950
TVA Conditions @ 95° OD DB, 75° ID DB 63° ID WB				
<b>95°</b>	<b>26,600</b>	<b>19,950</b>	<b>6,650</b>	<b>2,360</b>

MODEL: DZ14SA0361K* + ARUF37C14** + TXV				
Conditions: 80 °F IBD, 67 °F IWB @ 1070 CFM				
OUTDOOR TEM. ° F.	TOTAL BTU/H	SENSIBLE BTU/H	LATENT BTU/H	TOTAL WATTS
75	37,700	26,390	11,310	2,430
80	37,250	26,443	10,807	2,575
85	36,800	26,496	10,304	2,720
90	36,000	26,272	9,728	2,880
<b>95</b>	<b>35,200</b>	<b>26,048</b>	<b>9,152</b>	<b>3,040</b>
100	34,200	25,640	8,560	3,220
105	33,200	25,232	7,968	3,400
110	32,300	25,333	6,967	3,610
115	31,400	25,434	5,966	3,820
TVA Conditions @ 95° OD DB, 75° ID DB 63° ID WB				
<b>95°</b>	<b>33,900</b>	<b>25,425</b>	<b>8,475</b>	<b>3,050</b>

MODEL: DZ14SA0421K* + ARUF43C14** + TXV				
Conditions: 80 °F IBD, 67 °F IWB @ 1300 CFM				
OUTDOOR TEM. ° F.	TOTAL BTU/H	SENSIBLE BTU/H	LATENT BTU/H	TOTAL WATTS
75	41,800	29,678	12,122	2,720
80	41,300	29,935	11,365	2,870
85	40,800	30,192	10,608	3,020
90	39,900	29,916	9,984	3,190
<b>95</b>	<b>39,000</b>	<b>29,640</b>	<b>9,360</b>	<b>3,360</b>
100	37,900	29,172	8,728	3,545
105	36,800	28,704	8,096	3,730
110	35,800	28,794	7,006	3,950
115	34,800	28,884	5,916	4,170
TVA Conditions @ 95° OD DB, 75° ID DB 63° ID WB				
<b>95°</b>	<b>37,600</b>	<b>28,952</b>	<b>8,648</b>	<b>3,360</b>

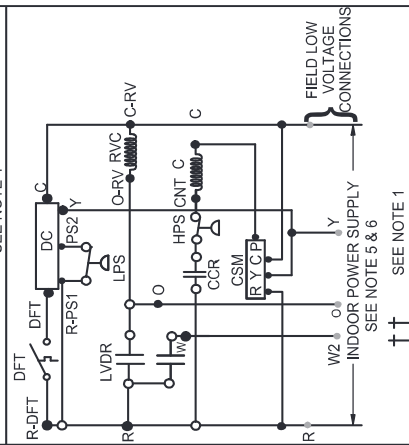
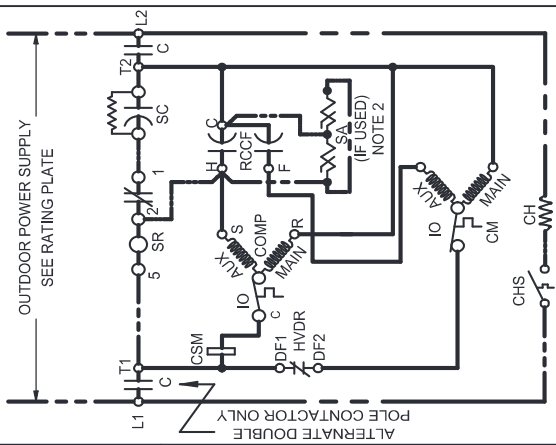
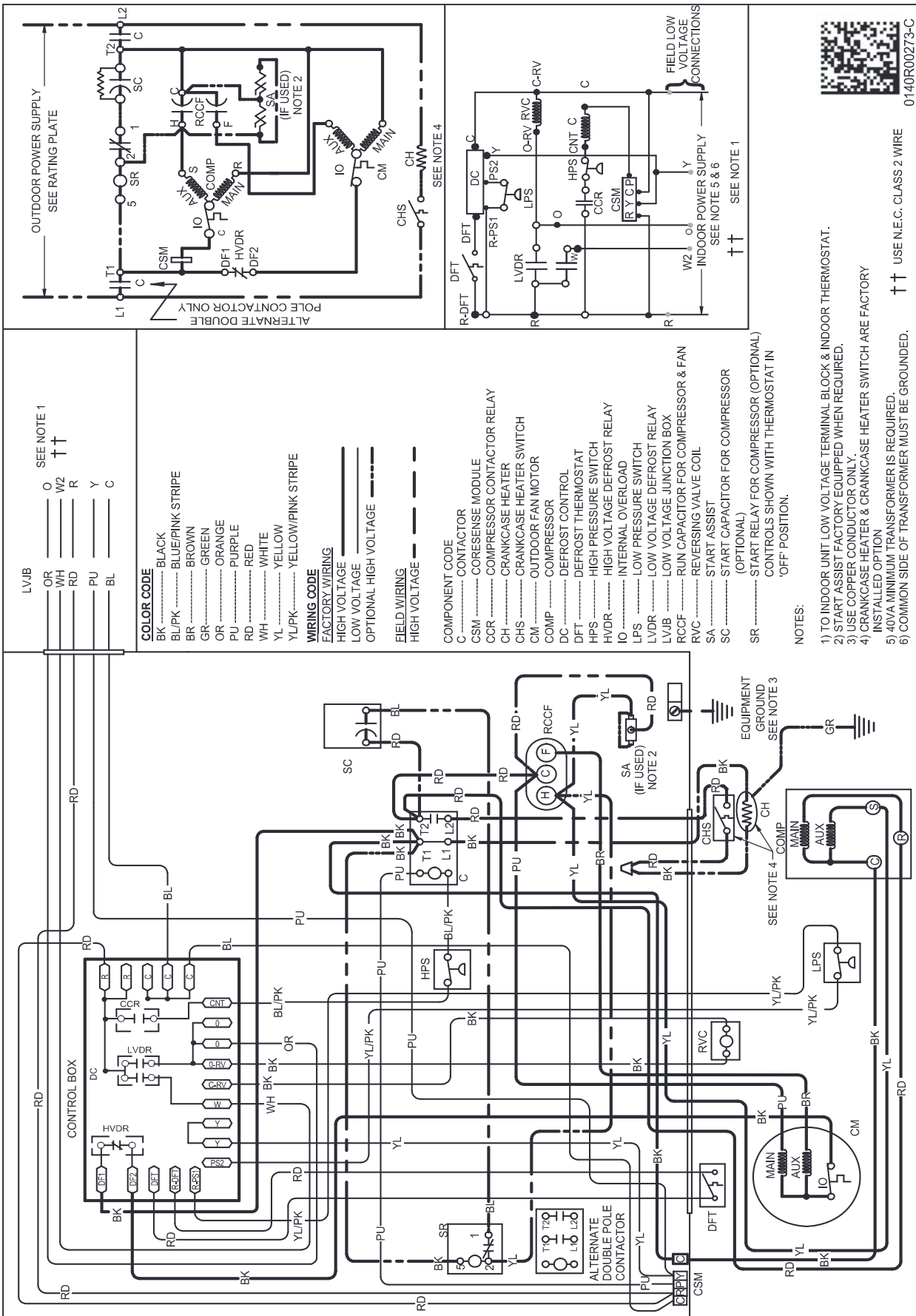
MODEL: DZ14SA0481K + ARUF61D14** + TXV				
Conditions: 80 °F IBD, 67 °F IWB @ 1560 CFM				
OUTDOOR TEM. ° F.	TOTAL BTU/H	SENSIBLE BTU/H	LATENT BTU/H	TOTAL WATTS
75	48,300	35,742	12,558	3,110
80	47,700	36,005	11,696	3,290
85	47,100	36,267	10,833	3,470
90	46,550	35,909	10,642	3,665
<b>95</b>	<b>45,000</b>	<b>35,550</b>	<b>9,450</b>	<b>3,860</b>
100	43,750	34,988	8,763	4,075
105	42,500	34,425	8,075	4,290
110	41,350	34,499	6,852	4,545
115	40,200	34,572	5,628	4,800
TVA Conditions @ 95° OD DB, 75° ID DB 63° ID WB				
<b>95°</b>	<b>43,400</b>	<b>34,720</b>	<b>8,680</b>	<b>3,860</b>

MODEL: DZ14SA0491K* + ARUF49C14** + TXV				
Conditions: 80 °F IBD, 67 °F IWB @ 1400 CFM				
OUTDOOR TEM. ° F.	TOTAL BTU/H	SENSIBLE BTU/H	LATENT BTU/H	TOTAL WATTS
75	47,700	33,867	13,833	3,000
80	47,100	33,906	13,194	3,175
85	46,500	33,945	12,555	3,350
90	45,500	33,660	11,840	3,540
<b>95</b>	<b>44,500</b>	<b>33,375</b>	<b>11,125</b>	<b>3,730</b>
100	43,250	33,068	10,183	3,940
105	42,000	32,760	9,240	4,150
110	40,850	32,856	7,995	4,400
115	39,700	32,951	6,749	4,650
TVA Conditions @ 95° OD DB, 75° ID DB 63° ID WB				
<b>95°</b>	<b>42,900</b>	<b>32,604</b>	<b>10,296</b>	<b>3,730</b>

MODEL: DZ14SA0601K* + ASPT61D14** + TXV				
Conditions: 80 °F IBD, 67 °F IWB @ 1790 CFM				
OUTDOOR TEM. ° F.	TOTAL BTU/H	SENSIBLE BTU/H	LATENT BTU/H	TOTAL WATTS
75	60,600	42,420	18,180	3,770
80	59,850	42,782	17,069	4,010
85	59,100	43,143	15,957	4,250
90	57,800	42,759	15,041	4,505
<b>95</b>	<b>56,500</b>	<b>42,375</b>	<b>14,125</b>	<b>4,760</b>
100	54,900	41,708	13,192	5,045
105	53,300	41,041	12,259	5,330
110	51,900	41,226	10,675	5,670
115	50,500	41,410	9,090	6,010
TVA Conditions @ 95° OD DB, 75° ID DB 63° ID WB				
<b>95°</b>	<b>54,500</b>	<b>41,420</b>	<b>13,080</b>	<b>4,770</b>

***ALL AHRI SYSTEM RATINGS ARE ACCESSIBLE IN THE UNITARY MATCHUP TOOL VIA  
DAIKIN CITY OR IN THE DAIKIN SYSTEM CONFIGURATOR TOOL VIA PARTNERLINK.***



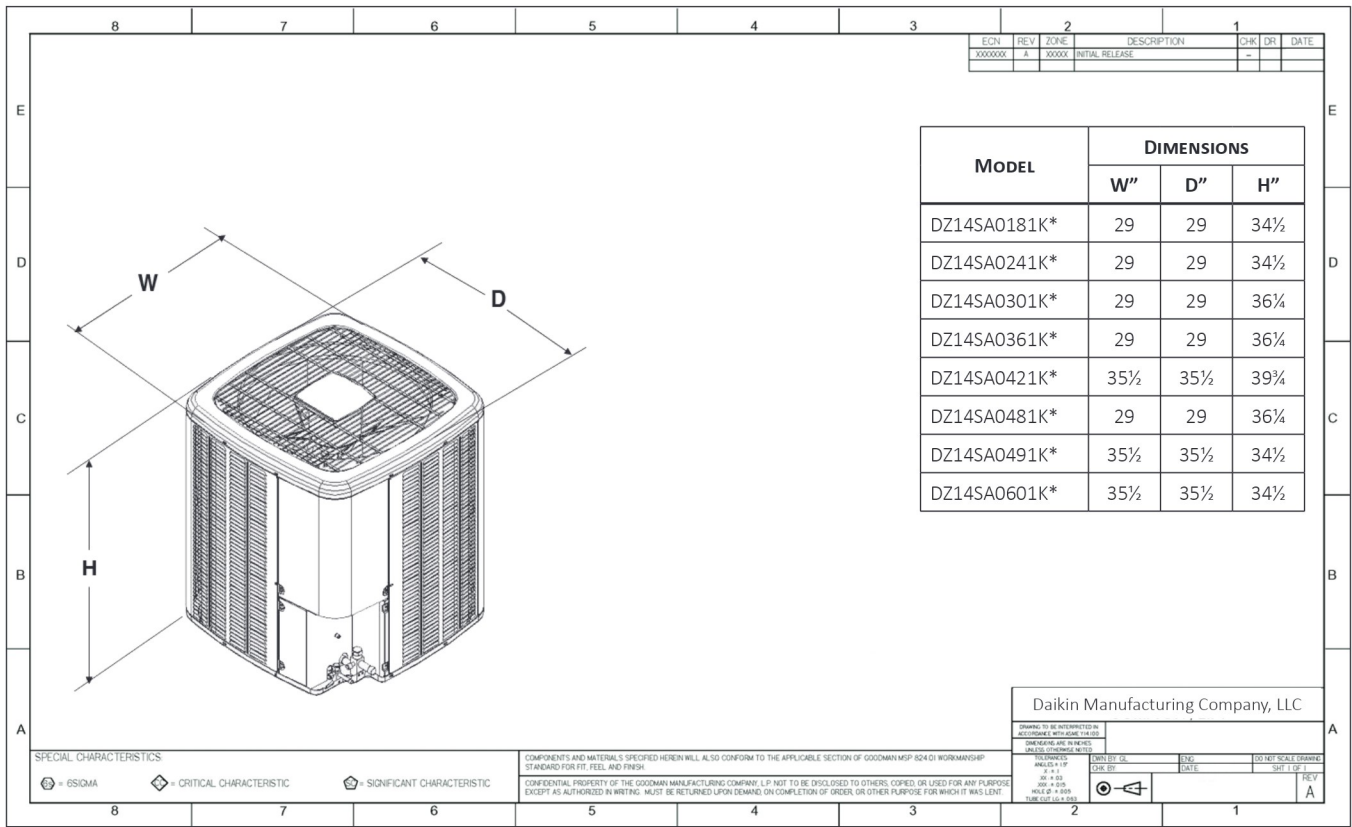


0140R00273-C

Wiring is subject to change. Always refer to the wiring diagram on the unit for the most up-to-date wiring.

**WARNING**

High Voltage: Disconnect all power before servicing or installing this unit. Multiple power sources may be present. Failure to do so may cause property damage, personal injury, or death.



ACCESSORIES

ITEM #	DESCRIPTION	DZ14SA 018**	DZ14SA 024**	DZ14SA 030**	DZ14SA 036**	DZ14SA 038**	DZ14SA 042**	DZ14SA 048/049**	DZ14SA 060**
ABK-20	Anchor Bracket Kit *	X	X	X	X	X	X	X	X
ASC01	Anti-Short Cycle Kit	X	X	X	X	X	X	X	X
CSR-U-1	Hard-start Kit	X	X	X	X	X			
CSR-U-2	Hard-start Kit				X	X	X	X	X
CSR-U-3	Hard-start Kit							X	X
FSK01A <sup>1</sup>	Freeze Protection Kit	X	X	X	X	X	X	X	X
LAKT01A	Low-Ambient Kit	X	X	X	X	X	X	X	X
OT18-60A <sup>2</sup>	Outdoor Thermostat	X	X	X	X	X	X	X	X
OT/EHR18-60	Emergency Heat Relay Kit	X	X	X	X	X	X	X	X
TX2N4A <sup>3</sup>	TXV Kit	X	X						
TX3N4 <sup>3</sup>	TXV Kit			X	X	X			
TX5N4 <sup>3</sup>	TXV Kit						X	X	X

\* Contains 20 brackets; four brackets needed to anchor unit to pad

<sup>1</sup> Installed on indoor coil

<sup>2</sup> Required for heat pump applications where ambient temperatures fall below 0 °F with 50% or higher relative humidity.

<sup>3</sup> Condensing units and heat pumps with reciprocating compressors require the use of start-assist components when used in conjunction with an indoor coil using a non-bleed thermal expansion valve refrigerant metering device. The TXV should always be sized based on the tonnage of the outdoor unit.



