

MICROWAVE OVEN INSTRUCTION MANUAL

Model: FMO12AHTBKE



Read these instructions carefully before using your microwave oven, and keep it carefully. If you follow the instructions, your oven will provide you with many years of good service.

SAVE THESE INSTRUCTIONS CAREFULLY

(rev. 08/26/19) MD

FARBERWARE®

Farberware is a registered trademark of Farberware Licensing Company, LLC
Manufactured and sold pursuant to a license from Farberware Licensing Company, LLC
© 2019 Farberware Licensing Company, LLC. All rights reserved.

Tables of Contents

PRECAUTIONS.....	4
SPECIFICATIONS.....	4
SAFETY.....	5
GROUNDING.....	6
UTENSILS.....	8
SETTING UP YOUR OVEN.....	10
CONTROL PANEL.....	12
OPERATION.....	13
MAINTENANCE.....	20
WARRANTY INFORMATION.....	21

PRECAUTIONS TO AVOID POSSIBLE EXPOSURE TO EXCESSIVE MICROWAVE ENERGY

- (a) Do not attempt to operate this oven with the door open since open-door operation can result in harmful exposure to microwave energy.
It is important not to defeat or tamper with the safety interlocks.
- (b) Do not place any object between the oven front face and the door or allows soil or cleaner residue to accumulate on sealing surfaces.
- (c) Do not operate the oven if it is damaged. It is particularly important that the oven door close properly and that there is no damage to the:
 - (1) DOOR (bent)
 - (2) HINGES AND LATCHES (broken or loosened)
 - (3) DOOR SEALS AND SEALING SURFACES
- (d) The oven should not be adjusted or repaired by anyone except properly qualified service personnel

SPECIFICATIONS

Model:	FMO12AHTBKE
Rated Voltage:	120V~60Hz
Rated Input Power(Microwave):	1550W
Rated Output Power(Microwave):	1100W
Oven Capacity:	1.2 cubic feet
Turntable Diameter:	12.4 inches
External Dimensions:	20.4(W)x15.8(D)x12.8(H) inches
Net Weight:	Approx 34.6 Lbs



WARNING:

This product can expose you to chemicals including Phthalates or other chemicals which are known to the State of California to cause cancer, birth defects and other reproductive harm.

For more information, visit www.P65Warnings.ca.gov

IMPORTANT SAFETY INSTRUCTIONS

When using electrical appliances basic safety precautions should be followed, including the following:

WARNING – To reduce the risk of burns, electric shock, fire, injury to persons or exposure to excessive microwave energy:

1. Read all instructions before using the appliance.
2. Read and follow the specific: "PRECAUTIONS TO AVOID POSSIBLE EXPOSURE TO EXCESSIVE MICROWAVE ENERGY" found on page 4.
3. This appliance must be grounded. Connect only to properly grounded outlet. See "GROUNDING INSTRUCTIONS" found on page 6.
4. Install or locate this appliance only in accordance with the provided installation instructions.
5. Some products such as whole eggs and sealed containers - for example, closed glass jars - are able to explode and should not be heated in this oven.
6. Use this appliance only for its intended use as described in the manual. Do not use corrosive chemicals or vapors in this appliance. This type of oven is specifically designed to heat, cook or dry food. It is not designed for industrial or laboratory use.
7. As with any appliance, close supervision is necessary when used by children.
8. Do not operate this appliance if it has a damaged cord or plug, if it is not working properly, or if it has been damaged or dropped.
9. This appliance should be serviced only by qualified service personnel. Contact nearest authorized service facility for examination, repair, or adjustment.
10. Do not cover or block any openings on the appliance.
11. Do not store this appliance outdoors. Do not use this product near water - for example, near a kitchen sink, in a wet basement, near a swimming pool, or similar location.
12. Do not immerse cord or plug in water.
13. Keep cord away from heated surface.
14. Do not let cord hang over edge of table or counter.
15. When cleaning surfaces of door and oven that comes together on closing the door, use only mild, nonabrasive soaps, or detergent applied with a sponge or soft cloth.
16. To reduce the risk of fire in the oven cavity:
 - 1). Do not overcook food. Carefully attend appliance when paper, plastic, or other combustible materials are placed inside the oven to facilitate cooking.
 - 2). Remove wire twist-ties from paper or plastic bag before placing bag in oven.
 - 3). If material inside of the oven ignite, keep oven door closed, turn oven off, and disconnect the power cord, or shut off power at the fuse or circuit breaker panel.
 - 4). Do not use the cavity for storage purposes. Do not leave paper products, cooking utensils, or food in the cavity when not in use.

17. Liquids, such as water, coffee, or tea are able to be overheated beyond the boiling point without appearing to be boiling. Visible bubbling or boiling when the container is removed from the microwave oven is not always present.

THIS COULD RESULT IN VERY HOT LIQUID SUDDENLY BOILING OVER WHEN THE CONTAINER IS DISTURBED OR A UTENSIL IS INSERTED INTO THE LIQUID.

To reduce the risk of injury to persons:

- 1) Do not overheat the liquid.
- 2) Stir the liquid both before and halfway through heating it.
- 3) Do not use straight-sided containers with narrow necks.
- 4) After heating, allow the container to stand in the microwave oven for a short time before removing the container.
- 5) Use extreme care when inserting a spoon or other utensil into the container.

SAVE THESE INSTRUCTIONS

GROUNDING INSTRUCTIONS

This appliance must be grounded. In the event of an electrical short circuit, grounding reduces the risk of electric shock by providing an escape wire for the electric current. This appliance is equipped with a cord having a grounding wire with a grounding plug. The plug must be plugged into an outlet that is properly installed and grounded.

WARNING – Improper use of the grounding can result in a risk of electric shock.

Consult a qualified electrician or serviceman if the grounding instructions are not completely understood, or if doubt exists as to whether the appliance is properly grounded. If it is necessary to use an extension cord, use only a 3-wire extension cord that has a 3-blade grounded plug, and 3-slot receptacle that will accept the plug on the appliance. The marked rating of the extension cord shall be equal to or greater than the electrical rating of the appliance.

DANGER – Electric Shock Hazard

Touching some of the internal components can cause serious personal injury or death. Do not disassemble this appliance.

WARNING – Electric Shock Hazard

Improper use of the grounding can result in electric shock. Do not plug into an outlet until appliance is properly installed and grounded.

1. A short power-supply cord is provided to reduce the risks resulting from becoming entangled in or tripping over a longer cord.
2. Longer cord sets or extension cords are available and may be used if care is exercised in their use.

3. If a long cord or extension cord is used:
 - 1) The marked electrical rating of the cord set or extension cord should be at least as great as the electrical rating of the appliance.
 - 2) The extension cord must be a grounding-type 3-wire cord.
 - 3) The longer cord should be arranged so that it will not drape over the counter top or tabletop where it can be pulled on by children or tripped over unintentionally.

RADIO INTERFERENCE

1. Operation of the microwave oven may cause interference to your radio, TV or similar equipment.
2. When there is interference, it may be reduced or eliminated by taking the following measures:
 - 1) Clean door and sealing surface of the oven
 - 2) Reorient the receiving antenna of radio or television.
 - 3) Relocate the microwave oven with respect to the receiver.
 - 4) Move the microwave oven away from the receiver.
 - 5) Plug the microwave oven into a different outlet so that microwave oven and receiver are on different branch circuits.

SAFETY

1. The oven must be on a leveled surface.
2. The turntable and turntable roller rest must be in the oven during cooking. Place the cookware gently on the turntable and handle it carefully to avoid possible breakage.
3. Incorrect use of browning dish may cause the turntable to break.
4. Use only the specified bag size when using Direct Access Popcorn.
5. The oven has several built-in safety switches to ensure that the power remains off when the door is open. Do not tamper with these switches.
6. Do not operate the microwave oven empty. Operating the oven with no food or food that is extremely low in moisture can cause fire, charring or sparking.
7. Do not cook bacon directly on the turntable. Excessive local heating of the turntable may cause the turntable to break.
8. Do not heat baby bottles or baby food in the microwave oven. Uneven heating may occur and could cause physical injury.

9. Do not heat narrow-necked containers, such as syrup bottles.
10. Do not attempt to deep-fry in your microwave oven.
11. Do not attempt home canning in this microwave oven, as it is impossible to be sure all contents of the jar have reached boiling temperature.
12. Do not use this microwave oven for commercial purpose. This microwave oven is made for household use only.
13. To prevent delayed eruptive boiling of hot liquids and beverages or scalding yourself, stir liquid before placing the container in the oven and again halfway through cooking time. Let stand in the oven for a short time and stir again before removing the container.
14. Use carefully when cooking food in the microwave oven to avoid burning due to excessive cooking.
15. When the appliance is operated in the combination mode, children should only use the oven under adult supervision due to the temperatures generated.
16. Failure to maintain the oven in a clean condition could lead to deterioration that could adversely affect the life of the appliance and possibly result in a hazardous situation.

UTENSILS



CAUTION – Personal Injury Hazard

Tightly-closed utensils could explode. Closed containers should be opened and plastic pouches should be pierced before cooking.

See the instructions on “Materials you can use in microwave oven or to be avoided in microwave oven.”

There may be certain non-metallic utensils that are not safe to use for microwaving. If in doubt, you can test the utensil in question following the procedure below.

Utensil Test:

1. Fill a microwave-safe container with 1 cup of cold water (250ml) along with the utensil in question.
2. Cook on maximum power for 1 minute.
3. Carefully feel the utensil. If the empty utensil is warm, do not use it for microwave cooking.
4. Do not exceed 1 minute cooking time.

MATERIALS YOU CAN USE IN MICROWAVE OVEN

Utensils	Remarks
Browning dish	Follow manufacturer* instructions. The bottom of browning dish must be at least 3/16 inch (5mm) above the turntable. Incorrect usage may cause the turntable to break.
Dinnerware	Microwave-safe only. Follow manufacturer's instructions. Do not use cracked or chipped dishes.
Glass jars	Always remove lid. Use only to heat food until just warm. Most glass jars are not heat resistant and may break.
Glassware	Heat-resistant oven glassware only. Make sure there is no metallic trim. Do not use cracked or chipped dishes.
Oven cooking bags	Follow manufacturer* instructions. Do not close with metal tie. Make slits to allow steam to escape.
Paper plates and cups	Use for short term cooking/warming only. Do not leave oven unattended while cooking.
Paper towels	Use to cover food for reheating and absorbing fat. Use with supervision for a short-term cooking only.
Parchment paper	Use as a cover to prevent splattering or a wrap for steaming.
Plastic	Microwave-safe only. Follow the manufacturer* instructions. Should be labeled "Microwave Safe". Some plastic containers soften, as the food inside gets hot. "Boiling bags" and tightly closed plastic bags should be slit, pierced or vented as directed by package.
Plastic wrap	Microwave-safe only. Use to cover food during cooking to retain moisture. Do not allow plastic wrap to touch food.
Thermometers	Microwave-safe only (meat and candy thermometers).
Wax paper	Use as a cover to prevent splattering and retain moisture.

MATERIALS TO BE AVOIDED IN MICROWAVE OVEN

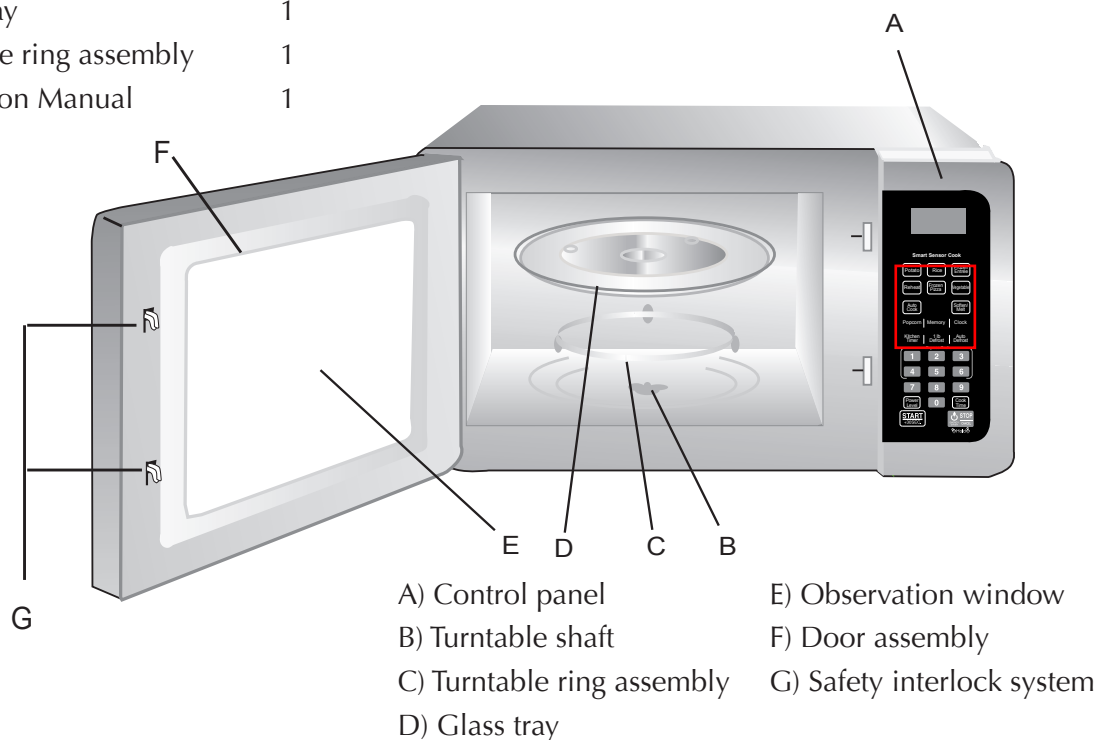
Utensils	Remarks
Aluminum tray	May cause arcing. Transfer food into microwave-safe dish.
Food carton with metal handle	May cause arcing. Transfer food into microwave-safe dish.
Metal or metal-trimmed utensils	Metal shields the food from microwave energy. Metal trim may cause arcing.
Metal twist ties	May cause arcing and could cause a fire in the oven.
Paper bags	May cause a fire in the oven.
Plastic foam	Plastic foam may melt or contaminate the liquid inside when exposed to high temperature.
Wood	Wood will dry out when used in the microwave oven and may split or crack.

SETTING UP YOUR OVEN

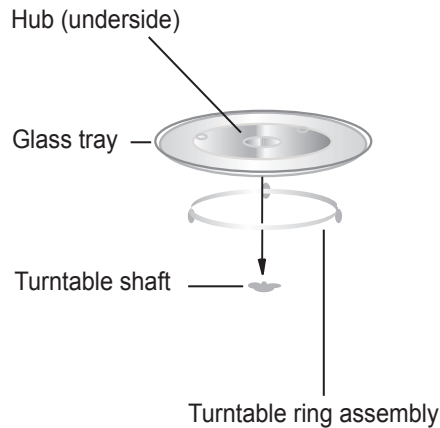
Names of Oven Parts and Accessories

Remove the oven and all materials from the carton and oven cavity. Your oven comes with the following accessories:

- Glass tray 1
- Turntable ring assembly 1
- Instruction Manual 1



Turntable Installation



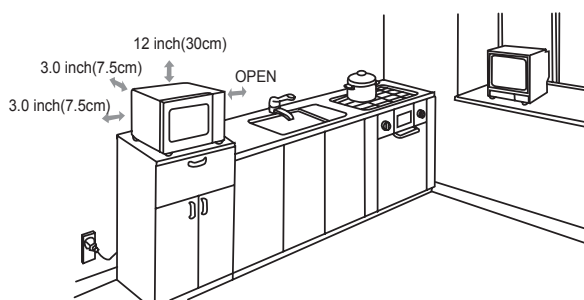
- Never place the glass tray upside down. The glass tray should never be restricted.
- Both glass tray and turntable ring assembly must always be used during cooking.
- All food and containers of food are always placed on the glass tray for cooking.
- If glass tray or turntable ring assembly cracks or breaks, contact your nearest authorized service center.

Counter-top Installation

Remove all packing material and accessories. Examine the oven for any damage such as dents or broken door. Do not install if oven is damaged.

Cabinet: Remove any protective film found on the microwave oven cabinet surface. Do not remove the light brown Mica cover that is attached to the oven cavity to protect the magnetron.

- Select a level surface that provide enough open space for the intake and/or outlet vents.



A minimum clearance of 3.0 inches (7.5cm) is required between the oven and any adjacent walls. One side must be open.

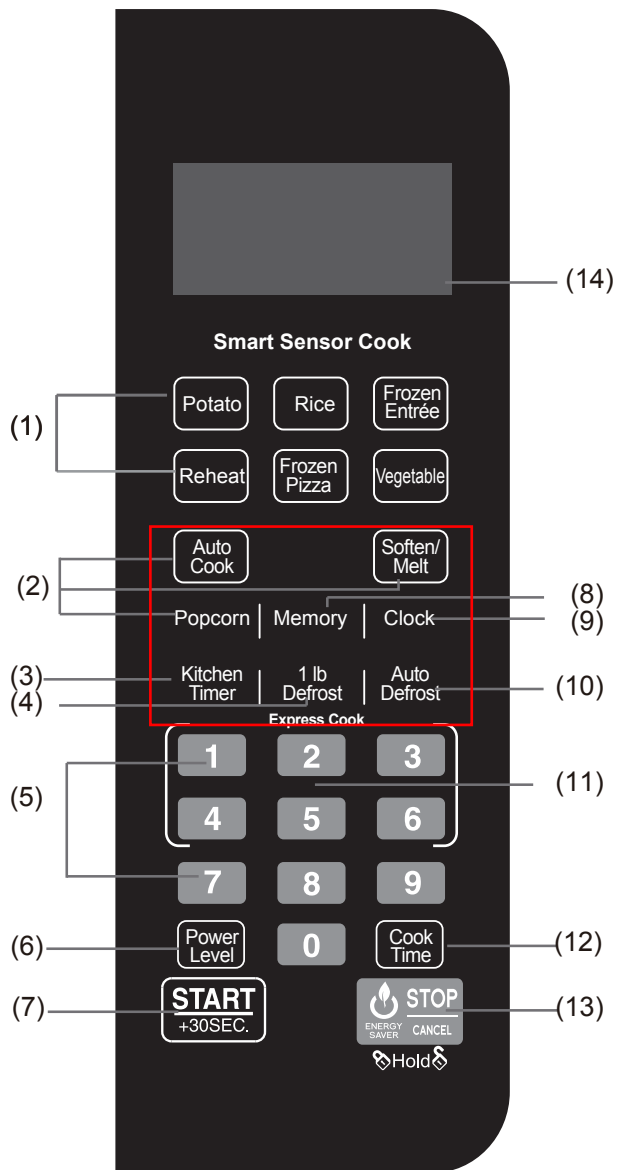
- Leave a minimum clearance of 12 inches (30cm) above the oven.
- Do not remove the legs from the bottom of the oven.

- Blocking the intake and/or outlet openings can damage the oven.

- Place the oven as far away from radios and TV as possible. Operation of microwave oven may cause interference to your radio or TV reception.

- Plug your oven into a standard household outlet. Be sure the voltage and the frequency is the same as the voltage and the frequency on the rating label.

WARNING – Do not install oven over a range cook-top or other heat-producing appliance. If installed near or over a heat source, the oven could be damaged and the warranty would be void.



- (1) Sensor Menu (Frozen Pizza, Potato, Vegetable, Rice, Frozen Entrée, Reheat)
- (2) Presets Menu (Auto Cook, Soften/Melt, Popcorn)
- (3) Kitchen Timer
- (4) 1lb Defrost
- (5) Number Buttons
- (6) Power Level
- (7) START/+30SEC.
- (8) Memory
- (9) Clock
- (10) Auto Defrost
- (11) One Touch Start button(1-6)
- (12) Cook time
- (13) STOP Cancel : Before cooking starts, press to clear all previous settings. During cooking, press once to stop oven; press twice to stop oven and clear all settings.
- (14) Display Window

OPERATION

1. Power Level

Ten power levels are available.

In microwave setting or cooking, press POWER LEVEL and "PL10" flash. Now you can press the number button to adjust the power level.

numer button	0	9	8	7	6	5	4	3	2	1
Level	10	9	8	7	6	5	4	3	2	1
Power	100%	90%	80%	70%	60%	50%	40%	30%	20%	10%
Display	PL10	PL9	PL8	PL7	PL6	PL5	PL4	PL3	PL2	PL1

2. Clock Setting

When the microwave oven is plugged into a outlet, the oven will display " 0:00 ".

- (1) Press CLOCK, LED will display 00:00, Clock will be lighted. The first figure will flash; ":" and other "0" will be lighted.
- (2) Press the number pads and enter the correct time. For example, time is 10:12 now, please press "1, 0, 1, 2" in turn.
- (3) Press CLOCK to finish clock setting, Clock will go out. ":" will flash and the clock will be lighted.

Note:

1. If the numbers input are not within the range of 1:00--12:59, the setting will be invalid until valid numbers are input.
2. In the process of clock setting, if the STOP/Cancel is pressed or if there is no operation within 1 minute, the oven will go back to the former state automatically.

3. Kitchen Timer

- (1) Press KITCHEN TIMER, LED will display 00:00, Timer will be lighted.
- (2) Press the number pads and enter the correct timer.(The maximum time is 99 minutes and 99 seconds). Start will flash.
- (3) Press START/+30SEC. to confirm setting, Timer will flash and Start will go out. Timer counts down.
- (4) When the time elapses, Timer will go out, the oven will beep 5 times. If the clock has been set (12-hour system), LED will display the current time.

Note:

1. The kitchen timer setting is different from the clock setting. Kitchen Timer is a timer.
2. During the Kitchen Timer function, any program cannot be set. Time cannot be increased by pressing START/+30SEC.
3. Press STOP/Cancel can cancel the timer.

4. Microwave cook

- (1) Press COOK TIME, LED will display "00:00", will be lighted.
- (2) Press number keys to enter the cooking time; the maximum cooking time is 99 minutes and 99 seconds, will flash.
- (3) Press POWER LEVEL, LED will display "PL10". The default power is 100% power. Now you can press number keys to adjust the power level.
- (4) Press START/+30SEC. to start cooking. will flash and will go out.
Example: to cook the food with 50% microwave power for 15 minutes.
 - a. Press COOK TIME, "00:00" displays.
 - b. Press "1", "5", "0", "0" in order to enter the cooking time.
 - c. Press POWER LEVEL, then press "5" to select 50% microwave power.
 - d. Press START/+30SEC. to start cooking.

Note:

During the microwave setting, if the STOP/Cancel button is pressed or no operation within 1 minute, the oven will go out to the setting state.

5. One Touch Start

- (1) In waiting state, instant cooking at 100% power level can be started by select a cooking time from 1 to 6 minutes by pressing number pads 1 to 6. Press START/+30SEC. to increase the cooking time up to 99 minutes and 99 seconds.
- (2) In waiting state, instant cooking at 100% power level with 30 seconds' cooking time can be started by pressing START/+30SEC. . Each press on the same button will increase cooking time by 30 seconds. The maximum cooking time is 99 minutes and 99 seconds.

Note:

1. During microwave cooking, press START/+30SEC. button to increase cooking time by 30 seconds.
2. In the cooking of kitchen timer and weight defrost, time cannot be added.

6. Auto Defrost Function

- (1) Press Auto DEFROST, LED will display "dEF1", will be lighted.
Press the same button repeatedly, "dEF2", "dEF3", "dEF1" will display in order.

LED display	dEF1	dEF2	dEF3
Food	Meat	Poultry	Fish

- (2) Press number buttons to enter the weight to be defrosted. will be lighted and will flash. The weight range should be between 0.1-6.0 Lbs.
If the weight input is not within 0.1-6.0 Lbs, the input will be invalid.
- (3) Press START/+30SEC. to start defrosting, will flash. and will go out.
And the remaining cooking time will display.

Note:

When half of the defrosting time passes, the oven will beep once to remind you to turn over the food. Open the door to pause operation. Turn over food, close the door and press START/+30SEC. to resume defrost cycle. If you do not open door to pause operation, the oven will continue the defrost cycle without interruption.

7. 1lb Defrost

- (1) Press 1lb DEFROST, LED will display "1.0", [DEF.] and [Lbs] will be lighted. [Start] will flash.
- (2) Press START/+30SEC. to start defrosting, [Lbs] and [Start] go out, [DEF.] will flash. And the remaining cooking time will display.

8. POPCORN

- (1) Press POPCORN repeatedly until the desired weight appears in the display, [Auto] and [Clock] [Oz] light. [Start] will flash.
For example, press "POPCORN" twice, "3.0" displays.
- (2) Press START/+30SEC. to cook, [Oz] and [Start] disappear, [Auto] flashes.

Times(Press POPCORN)	Weight	Display
Once	1.75 Oz	1.75
2 Times	3.0 Oz	3.0
3 Times	3.5 Oz	3.5

9. Sensor Menu (Frozen Pizza, Potato, Vegetable, Rice, Frozen Entree, Reheat)

- (1) In waiting state, press the sensor menu button, "SC-X" displays, [Auto] and [SENS.] light. [Start] will flash.
Example 1: if "Rice" is pressed, "SC-5" will display.
- (2) Press START/+30SEC. to sensor time, "SC-X" flashes. [Start] will go out, When the cooking start, the remaining time count down, [Auto] and [SENS.] flash.

Note:

1. When cooking food with sensor menu, you should note below for better effect.
 - a. The room temperature cannot be over 95 degrees F.
 - b. The weight of food must be more than 110g (4 Oz).
 - c. The oven cavity, glass tray and utensils must keep dry.
2. During cooking, you should note below.
 - a. The food can be covered with the lid. But the lid must has vent hole in order to emanate the steam.
 - b. If the cooking time does not start to count down, do not open the oven door or press STOP/Cancel. Otherwise, the sensor will make mistakes.
 - c. When the time will count down, you can open the door to mix the food or replace the food.

Example 2 : to use the menu of potato.

- 1) Press POTATO key once, "SC-4" displays.

The max. amount is 4pc and about 6~8 Oz/pc.

- 2) Press START/+30SEC. to cook, After the cooking time display, food can be turn over.

Note:

- a. Each potato is stabbed 6 times with the fork on surface.
- b. Place the potato on the edge of glass tray, if more potatoes, please keep them detached and the interval of each one is 2.5mm.

Example 3 : Sensor Reheat

- 1) In waiting states, after putting the food into the oven, press REHEAT and "SC-1" will display.
- 2) Press START/+30SEC. to cook.

Note:

1. Food to be avoided in sensor reheating.
 - a. Bread and other dry food, such as biscuit, cake.
 - b. Raw or uncooked food.
 - c. Beverage and frozen food.
2. The oven cannot cook automatically when the temperature of the oven cavity is high
3. The reheat food can be covered with the lid. But the lid must have vent hole in order to emanate the steam, Sealed utensil is forbidden.
4. The food temperature must be at least 40°F (5°C), when placing it into the oven for sensor heat to work correctly.
5. The sensor reheat has different requests for different food,
Casseroles- Add 2 to 3 tablespoons of liquid, cover with lid or vented plastic wrap. Stir when time appears in the display window.
Canned foods- Empty contents into casserole dish or serving bowl, cover dish with lid or vented plastic wrap. After reheating, let stand for a few minutes.
Plate of food- Arrange food on plate; top with butter, gravy, etc. Cover with lid or vented plastic wrap. After reheating, let stand for a few minutes.

Example 4 : to use the menu of Vegetable

- 1) Press Vegetable once, "SC-6" will display, to cook fresh vegetable.
Press Vegetable 2 times, "SC-7" will display, to cook frozen vegetable.
 - 2) Press START/+30SEC. to cook. After the cooking time display, food can be turned over.
- Sensor menu chart:

Menu button	Reheat	Frozen Pizza	Frozen Entree	Potato	Rice	Vegetable
Food	Reheat	Frozen Pizza	Frozen Entree	Potato	Rice	Fresh/Frozen Vegetable
Food Code	SC- 1	SC- 2	SC- 3	SC- 4	SC- 5	SC-6/SC- 7

10. Auto Cook

- Press Auto Cook, "CC-1" will display, **Auto** lights. Keep pressing the same key, CC-2, CC-3, CC-4, CC-5, CC-1 will display in order.
- Press number button to select the different weight or portion. **Start** will flash.
- Press START/+30SEC. to cook, **Auto** flashes. **Start** will go out.

11. Soften/Melt

- Press Soften/Melt, "S-1" will display. Keep pressing the same key, S-2, S-3...S-7, S-1 will display in order.
- Press number button to select the different weight or portion. **Start** will flash.
- Press START/+30SEC. to cook, **Auto** flash. **Start** will go out.

Auto Menu Chart:

MENU BUTTON	FOOD	Weight/portion
Auto Cook	1*Auto Cook-Bacon	2-6 SLICES
	2*Auto Cook-Frozen roll/Muffin-reheat	1-6 PIECES
	3*Auto Cook-Beverage	1-2 CUPS
	4*Auto Cook-Chicken Pieces	0.5-2.0 Lbs
	5*Auto Cook-Oatmeal(with milk)	20/40Oz
Soften/Melt	1*Melt-Butter/Margarine	1-3 STICHS
	2*Melt-Chocolate	4/8Oz
	3*Melt-Cheese	8/16Oz
	4*Melt-Marshmallows	5/10Oz
	5*Soften-Butter	1-3 STICHS
	6*Soften-Ice cream/Frozen juice	6/12/16Oz
	7*Soften-Cream cheese	3/8Oz

12. MEMORY FUNCTION


Press MEMORY to choose Memory 1-3 procedure. 1,2,3 will display.

If the memory programme has been set, press START/+30SEC. to start cooking.

Set the memory function:

- (1) Single or two stages cooking function can be set.
- (2) After finishing the setting, press MEMORY to save the Memory 1-3 and the oven turn back to the waiting state. If not pressing MEMORY but START/+30SEC., the favorite can be saved and operated at once.

Example: to set a Memory 2 of cooking food with 80% microwave power for 3 minutes and 20 seconds, follow the steps below:

- 1) In waiting states, press MEMORY twice, "2" displays.
- 2) Set the programme:
 - a. Press COOK TIME, then press the number buttons, "3", "2", "0".  will be lighted.
 - b. Press POWER LEVEL, "PL10" flashes. And press "8" to select 80% power, "PL8" displays.
- 3) Press MEMORY once to save Memory 2 and the oven turn back to the waiting state.
- 4) To run Memory 2, press MEMORY twice, "2" displays. And press START/+30SEC. to run the program.

Note:

Auto menu cannot be set as memory cooking.

13. Multi-section cooking

At most 2 sections cooking can be set. In multi-section cooking, if one section is defrosting, defrosting will be placed in the first section. When the first stage finishes, the buzzer will sound once and the next stage will begin.

Example: if you want to cook with 80% microwave power for 5 minutes + 60% microwave power for 10 minutes. The cooking steps are as following.

- (1) Press COOK TIME, then press, "5", "0", "0" to enter 5 minutes.
- (2) Press POWER LEVEL, "PL10" flashes.
- (3) Press number button "8" to set 80% microwave power.
- (4) Press COOK TIME, then press "1", "0", "0", "0" to enter 10 minutes.
- (5) Press POWER LEVEL, "PL10" flashes.
- (6) Then press number button "6" to set 60% microwave power.
- (7) Press START/+30SEC. to start cooking.

Note:

Auto menu cannot be set as one of the multi-section.

14. INQUIRING FUNCTION

- (1) In cooking state, press CLOCK, the clock will be displayed. After three seconds, the oven will turn back to the cooking state.
- (2) When timer counts down, press CLOCK, the clock will be displayed. After three seconds, the oven will turn back to the timer state.
- (3) In the microwave cooking state, press POWER LEVEL, the current microwave power will be displayed. After three seconds, the oven will turn back to the cooking state.

15. LOCK FUNCTION FOR CHILDREN

Lock: In waiting state, press STOP/Cancel for 3 seconds, there will be a long "beep" denoting the entering into the children-lock state,  will display .

Unlock: In locked state, press STOP/Cancel for 3 seconds, there will be a long "beep" denoting that lock is released, the current time or "0:00" will display.

16. COOKING END REMINDING FUNCTION

When the cooking is over, End will display. Press STOP/Cancel or open/close the oven door to turn back to the waiting state.

MAINTENANCE

Check your problem by using the chart below and try the solutions for each problem. If the microwave oven still does not work properly, contact the nearest authorized service center.

TROUBLE	POSSIBLE CAUSE	POSSIBLE REMEDY
Oven will not start	<ul style="list-style-type: none"> a. Electrical cord for oven is not plugged in. b. Door is open. c. Wrong operation is set or not confirmed. 	<ul style="list-style-type: none"> a. Plug into the outlet. b. Close the door and try again. c. Press "Start/+30Sec./Confirm" or check instructions.
Arcing or sparking	<ul style="list-style-type: none"> a. Materials to be avoided in microwave oven were used. b. The oven is operated when empty. c. Spilled food remains in the cavity. 	<ul style="list-style-type: none"> a. Use microwave-safe cookware only. b. Do not operate with oven empty. c. Clean cavity with wet towel.
Unevenly cooked foods	<ul style="list-style-type: none"> a. Materials to be avoided in microwave oven were used. b. Food is not defrosted completely. c. Cooking time, power level is not suitable. d. Food is not turned or stirred. 	<ul style="list-style-type: none"> a. Use microwave-safe cookware only. b. Completely defrost food. c. Use correct cooking time, power level. d. Turn or stir food.
Overcooked foods	Cooking time, power level is not suitable.	Use correct cooking time, power level.
Undercooked foods	<ul style="list-style-type: none"> a. Materials to be avoided in microwave oven were used. b. Food is not defrosted completely. c. Oven ventilation ports are restricted. d. Cooking time, power level is not suitable. 	<ul style="list-style-type: none"> a. Use microwave-safe cookware only. b. Completely defrost food. c. Check to see that oven ventilation ports are not restricted. d. Use correct cooking time, power level.
Improper defrosting	<ul style="list-style-type: none"> a. Materials to be avoided in microwave oven were used. b. Cooking time, power level is not suitable. c. Food is not turned or stirred. 	<ul style="list-style-type: none"> a. Use microwave-safe cookware only. b. Use correct cooking time, power level. c. Turn or stir food.

ONE YEAR LIMITED WARRANTY

This warranty applies to products purchased and used in the U.S and Canada.

This is the only express warranty for this product and is in lieu of any other warranty or condition.

This product is warranted to be free from defects in material and workmanship for a period of one (1) year from the date of original purchase. This warranty is valid for the original retail purchaser or gift recipient from the date of initial retail purchase and is not transferable.

Keep your original sales receipt as proof of purchase is required to make a warranty claim.

IMPORTANT: This warranty does not cover damages resulting from use not in conformity with the printed directions, accident, misuse or abuse, alternation, the affixing of any attachments not provided with the product, loss of parts, or subjecting the appliance to any but the specified voltage. (Read directions carefully.) This warranty is void if the product is used for other than single-family household use or subjected to any voltage and waveform other than as specified on the rating label (e.g., 120V ~ 60 Hz).

Englewood Marketing LLC excludes all claims for special, incidental, and consequential damages caused by breach of express or implied warranty. All liability is limited to the amount of the purchase price. **Every implied warranty, including any statutory warranty or condition of merchantability or fitness for a particular purpose, is disclaimed except to the extent prohibited by law, in which case such warranty or condition is limited to the duration of this written warranty.** This warranty gives you specific legal rights. You may have other legal rights that vary depending on where you live. Some states or provinces do not allow limitations on implied warranties or special, incidental, or consequential damages, so the foregoing limitations may not apply to you.

To make a warranty claim or if service is required, please call our CUSTOMER SERVICE NUMBER.

For faster service, please have the model, type, and series numbers ready for the operator to assist you.

Customer Service Number
Englewood Marketing LLC
In the US 844-918-0509
Email: CustomerService@emllc-USA.com

