

MICROWAVE OVEN INSTRUCTION MANUAL

Model: FMO16AHTBSD



Read these instructions carefully before using your microwave oven, and to maintain its upkeep. If you follow the instructions, your oven will provide you with many years of good service.

KEEP THESE INSTRUCTIONS IN A SAFE PLACE

(rev. 09/10/19 MD)

FARBERWARE®

Farberware is a registered trademark of Farberware Licensing Company, LLC
Manufactured and sold pursuant to a license from Farberware Licensing Company, LLC
© 2019 Farberware Licensing Company, LLC. All rights reserved.

Tables of Contents

PRECAUTIONS..... 4

SPECIFICATIONS..... 4

SAFETY 5

GROUNDING..... 6

UTENSILS 8

SETTING UP YOUR OVEN 10

CONTROL PANEL..... 12

OPERATION..... 13

MAINTENANCE 21

WARRANTY INFORMATION 22

PRECAUTIONS TO AVOID POSSIBLE EXPOSURE TO EXCESSIVE MICROWAVE ENERGY

- (a) Do not attempt to operate this oven with the door open since open door operation can result in harmful exposure to microwave energy.
It is important not to tamper with the safety interlocks.
- (b) Do not place any object between the oven front face and the door or allow food or cleaner residue to accumulate on the sealing surfaces.
- (c) Do not operate the oven if it is damaged. It is particularly important that the oven door close properly and that there is no damage to the:
 - (1) DOOR (bent)
 - (2) HINGES AND LATCHES (broken or loosened)
 - (3) DOOR SEALS AND SEALING SURFACES (Do not use if the door seal or sealing surfaces are damaged.)
- (d) The oven should not be adjusted or repaired by anyone except properly qualified service personnel.

SPECIFICATIONS

Model:	FMO16AHTBSD
Rated Voltage:	120V~60Hz
Rated Input Power (Microwave):	1550W
Rated Output Power (Microwave):	1100W
Oven Capacity:	1.6 cubic feet
Turntable Diameter:	13.5 inches
External Dimensions:	21.8*19.2*12.9 inches
Net Weight:	33.1 lbs



WARNING:

This product can expose you to chemicals including Phthalates or other chemicals which are known to the State of California to cause cancer, birth defects and other reproductive harm.
For more information, visit www.P65Warnings.ca.gov

IMPORTANT SAFETY INSTRUCTIONS

When using electrical appliances basic safety precautions should be followed, including the following:

WARNING - To reduce the risk of burns, electric shock, fire, injury to persons or exposure to excessive microwave energy:

1. Read all instructions before using the appliance.
2. Read and follow the specific: **“PRECAUTIONS TO AVOID POSSIBLE EXPOSURE TO EXCESSIVE MICROWAVE ENERGY” found on page 4.**
3. This appliance must be grounded. Connect only to properly grounded outlet. See **“GROUNDING INSTRUCTIONS” found on page 6.**
4. Install or locate this appliance only in accordance with the provided installation instructions.
5. Some products such as whole eggs and sealed containers - for example, closed glass jars - are able to explode and should not be heated in this oven.
6. Use this appliance only for its intended use as described in the manual. Do not use corrosive chemicals or vapors in this appliance. This type of oven is specifically designed to heat, cook or dry food. It is not designed for industrial or laboratory use.
7. As with any appliance, close supervision is necessary when used by children.
8. Do not operate this appliance if it has a damaged cord or plug, if it is not working properly, or if it has been damaged or dropped.
9. This appliance should be serviced only by qualified service personnel. Contact nearest authorized service facility for examination, repair, or adjustment.
10. Do not cover or block any openings on the appliance.
11. Do not store this appliance outdoors. Do not use this product near water - for example, near a kitchen sink, in a wet basement, near a swimming pool, or similar location.
12. Do not immerse cord or plug in water.
13. Keep cord away from heated surface.
14. Do not let cord hang over edge of table or counter.
15. When cleaning surfaces of door and oven that comes together on closing the door, use only mild, nonabrasive soaps, or detergent applied with a sponge or soft cloth.
16. To reduce the risk of fire in the oven cavity:
 - a. Do not overcook food. Carefully attend appliance when paper, plastic, or other combustible materials are placed inside the oven to facilitate cooking.
 - b. Remove wire twist-ties from paper or plastic bag before placing bag in oven.
 - c. If material inside of the oven ignite, keep oven door closed, turn oven off, and disconnect the power cord, or shut off power at the fuse or circuit breaker panel.
 - d. Do not use the cavity for storage purposes. Do not leave paper products, cooking utensils, or food in the cavity when not in use.
17. Liquids, such as water, coffee, or tea are able to be overheated beyond the boiling point without appearing to be boiling. Visible bubbling or boiling when the container is removed from the microwave oven is not always present.

THIS COULD RESULT IN VERY HOT LIQUID SUDDENLY BOILING OVER WHEN THE CONTAINER IS DISTURBED OR A UTENSIL IS INSERTED INTO THE LIQUID.

To reduce the risk of injury to persons:

1. Do not overheat the liquid.
2. Stir the liquid both before and halfway through heating it.
3. Do not use straight-sided containers with narrow necks.
4. After heating, allow the container to stand in the microwave oven for a short time before removing the container.
5. Use extreme care when inserting a spoon or other utensil into the container.

SAVE THESE INSTRUCTIONS

GROUNDING INSTRUCTIONS

This appliance must be grounded. In the event of an electrical short circuit, grounding reduces the risk of electric shock by providing an escape wire for the electric current. This appliance is equipped with a cord having a grounding wire with a grounding plug. The plug must be plugged into an outlet that is properly installed and grounded.

WARNING – Improper use of the grounding can result in a risk of electric shock. **Consult a qualified electrician or serviceman if the grounding instructions are not completely understood, or if doubt exists as to whether the appliance is properly grounded.** If it is necessary to use an extension cord, use only a 3-wire extension cord that has a 3-blade grounded plug, and 3-slot receptacle that will accept the plug on the appliance. The marked rating of the extension cord shall be equal to or greater than the electrical rating of the appliance.

DANGER – Electric Shock Hazard

Touching some of the internal components can cause serious personal injury or death. Do not disassemble this appliance.

WARNING – Electric Shock Hazard

Improper use of the grounding can result in electric shock. Do not plug into an outlet until appliance is properly installed and grounded.

1. A short power-supply cord is provided to reduce the risks resulting from becoming entangled in or tripping over a longer cord.
2. Longer cord sets or extension cords are available and may be used if care is exercised in their use.
3. If a long cord or extension cord is used:
 - a. The marked electrical rating of the cord set or extension cord should be at least as great as the electrical rating of the appliance.
 - b. The extension cord must be a grounding-type 3-wire cord.
 - c. The longer cord should be arranged so that it will not drape over the counter top or tabletop where it can be pulled on by children or tripped over unintentionally.

RADIO INTERFERENCE

1. Operation of the microwave oven may cause interference to your radio, TV or similar equipment.
2. When there is interference, it may be reduced or eliminated by taking the following measures:
3. Clean door and sealing surface of the oven.
 - a. Reorient the receiving antenna of radio or television.
 - b. Relocate the microwave oven with respect to the receiver.
 - c. Move the microwave oven away from the receiver.
 - d. Plug the microwave oven into a different outlet so that microwave oven and receiver are on different branch circuits.

SAFETY

1. The oven must be on a leveled surface.
2. The turntable and turntable roller rest must be in the oven during cooking. Place the cookware gently on the turntable and handle it carefully to avoid possible breakage.
3. Incorrect use of browning dish may cause the turntable to break.
4. Use only the specified bag size when using Direct Access Popcorn.
5. The oven has several built-in safety switches to ensure that the power remains off when the door is open. Do not tamper with these switches.
6. Do not operate the microwave oven empty. Operating the oven with no food or food that is extremely low in moisture can cause fire, charring or sparking.
7. Do not cook bacon directly on the turntable. Excessive local heating of the turntable may cause the turntable to break.
8. Do not heat baby bottles or baby food in the microwave oven. Uneven heating may occur and could cause physical injury.
9. Do not heat narrow-necked containers, such as syrup bottles.
10. Do not attempt to deep-fry in your microwave oven.
11. Do not attempt home canning in this microwave oven, as it is impossible to be sure all contents of the jar have reached boiling temperature.
12. Do not use this microwave oven for commercial purpose. This microwave oven is made for household use only.
13. To prevent delayed eruptive boiling of hot liquids and beverages or scalding yourself, stir liquid before placing the container in the oven and again halfway through cooking time. Let stand in the oven for a short time and stir again before removing the container.
14. Use care when cooking food in the microwave oven to avoid burning due to excessive cooking.
15. Failure to maintain the oven in a clean condition could lead to deterioration that could adversely affect the life of the appliance and possibly result in a hazardous situation.

UTENSILS

 **CAUTION** – Personal Injury Hazard

Tightly-closed utensils could explode. Closed containers should be opened and plastic pouches should be pierced before cooking.

See the instructions on “Materials you can use in microwave oven or to be avoided in microwave oven.”

There may be certain non-metallic utensils that are not safe to use for microwaving. If in doubt, you can test the utensil in question following the procedure below.

Utensil Test:

1. Fill a microwave-safe container with 1 cup of cold water (250ml) along with the utensil in question.
2. Cook on maximum power for 1 minute.
3. Carefully feel the utensil. If the empty utensil is warm, do not use it for microwave cooking.
4. Do not exceed 1 minute cooking time.

MATERIALS TO AVOID IN MICROWAVE OVEN

Utensils	Remarks
Aluminum tray	May cause arcing. Transfer food into microwave-safe dish.
Food carton with metal handle	May cause arcing. Transfer food into microwave-safe dish.
Metal or metal-trimmed utensils	Metal shields the food from microwave energy. Metal trim may cause arcing.
Metal twist ties	May cause arcing and could cause a in the oven.
Paper bags	May cause fire in the oven
Plastic foam	Plastic foam may melt or contaminate the liquid inside when exposed to high temperature.
wood	Wood will dry out when used in the microwave oven and may split or crack.

MATERIALS YOU CAN USE IN MICROWAVE OVEN

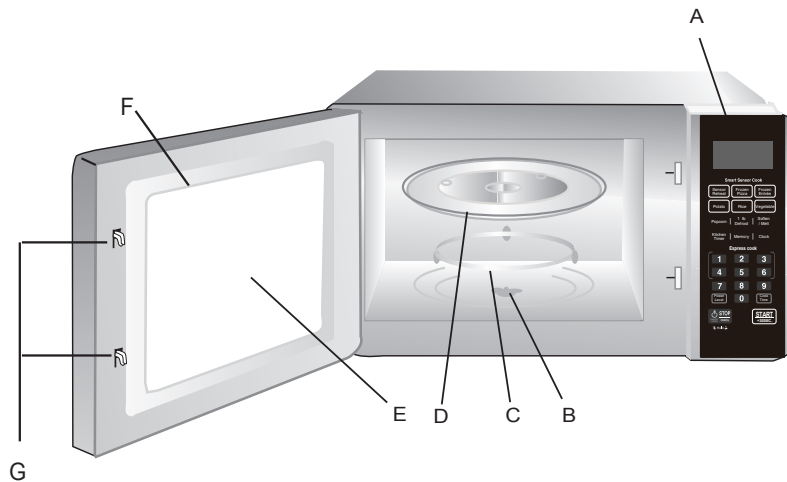
Utensils	Remarks
Browning dish	Follow manufacturer* instructions. The bottom of browning dish must be at least 3/16 inch (5mm) above the turntable. Incorrect usage may cause the turntable to break.
Dinnerware	Microwave-safe only. Follow manufacturer's instructions. Do not use cracked or chipped dishes.
Glass jars	Always remove lid. Use only to heat food until just warm. Most glass jars are not heat resistant and may break.
Glassware	Heat-resistant oven glassware only. Make sure there is no metallic trim. Do not use cracked or chipped dishes.
Oven cooking bags	Follow manufacturer* instructions. Do not close with metal tie. Make slits to allow steam to escape.
Paper plates and cups	Use for short term cooking/warming only. Do not leave oven unattended while cooking.
Paper towels	Use to cover food for reheating and absorbing fat. Use with supervision for a short-term cooking only.
Parchment paper	Use as a cover to prevent splattering or a wrap for steaming.
Plastic	Microwave-safe only. Follow the manufacturer* instructions. Should be labeled "Microwave Safe". Some plastic containers soften, as the food inside gets hot. "Boiling bags" and tightly closed plastic bags should be slit, pierced or vented as directed by package.
Plastic wrap	Microwave-safe only. Use to cover food during cooking to retain moisture. Do not allow plastic wrap to touch food.
Thermometers	Microwave-safe only (meat and candy thermometers).
Wax paper	Use as a cover to prevent splattering and retain moisture.

SETTING UP OUR OVEN

Names of Oven Parts and Accessories

Remove the oven and all materials from the carton and oven cavity. Your oven comes with the following accessories.

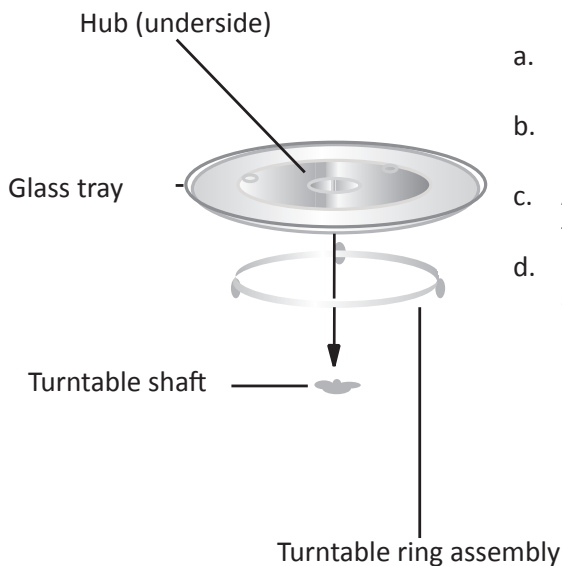
Glass tray (turntable)
Turntable ring assembly
Instruction manual



A) Control panel
B) Turntable shaft
C) Turntable ring assembly
D) Glass tray

E) Observation window
F) Door assembly
G) Safety interlock system

Turntable Installation



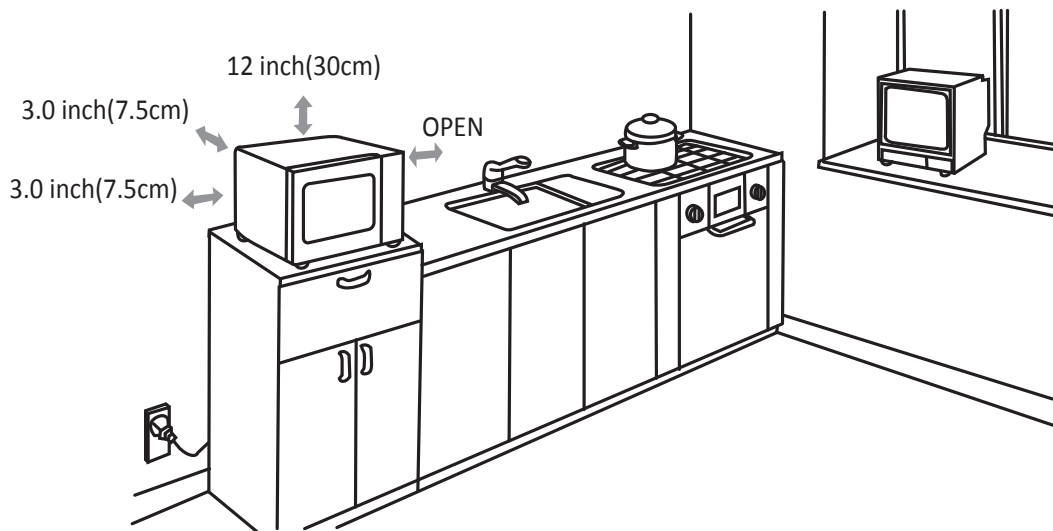
- Never place the glass tray upside down. The glass tray should never be restricted.
- Both glass tray and turntable ring assembly must always be used during cooking.
- All food and containers of food are always placed on the glass tray for cooking.
- If glass tray or turntable ring assembly cracks or breaks, contact your nearest authorized service center.

Countertop Installation

Remove all packing material and accessories. Examine the oven for any damage such as dents or broken door. Do not install if oven is damaged.

Cabinet: Remove any protective film found on the microwave oven cabinet surface.

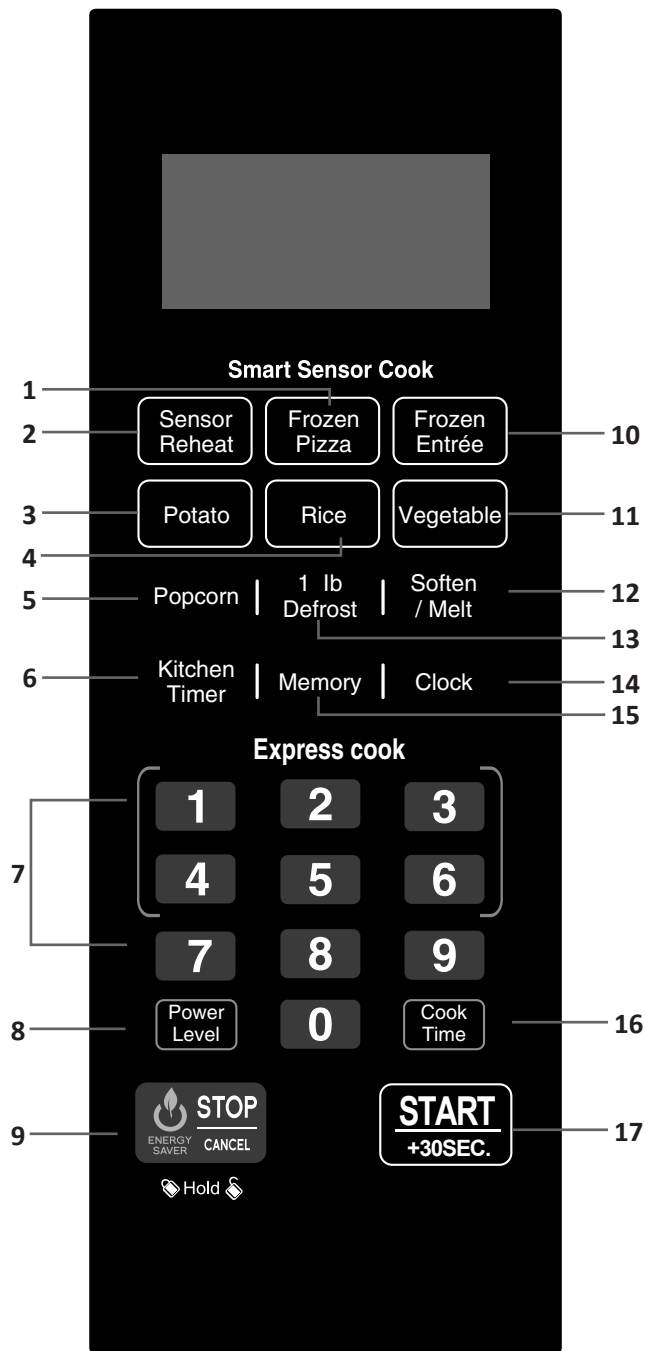
Do not remove the light brown Mica cover that is attached to the oven cavity to protect the magnetron.



1. Select a level surface that provide enough open space for the intake and/or outlet vents. A minimum clearance of 3.0 inches (7.5cm) is required between the oven and any adjacent walls. One side must be open.
 - a. Leave a minimum clearance of 12 inches (30cm) above the oven.
 - b. Do not remove the legs from the bottom of the oven.
 - c. Blocking the intake and/or outlet openings can damage the oven.
 - d. Place the oven as far away from radios and TV as possible. Operation of microwave oven may cause interference to your radio or TV reception.
2. Plug your oven into a standard household outlet. Be sure the voltage and the frequency is the same as the voltage and the frequency on the rating label.

WARNING: Do not install oven over a range cooktop or other heat-producing appliance. If installed near or over a heat source, the oven could be damaged and the warranty would be void.

CONTROL PANEL



1. Frozen Pizza
2. Sensor Reheat
3. Potato
4. Rice
5. Popcorn
6. Kitchen Timer
7. Number Pad (0-9)
8. Power Level
9. Stop/CANCEL
10. Frozen Entrée
11. Vegetable
12. Soften / Melt
13. 1 lb Defrost
14. Clock
15. Memory
16. Cook Time
17. START/+30SEC (Begin cooking time or add time to cooking)

OPERATION

1. Power Level

Ten power levels are available.

Number key	0	9	8	7	6	5	4	3	2	1
Level	10	9	8	7	6	5	4	3	2	1
Power	100%	90%	80%	70%	60%	50%	40%	30%	20%	10%
Display	PL10	PL9	PL8	PL7	PL6	PL5	PL4	PL3	PL2	PL1

2. Clock Setting

When the microwave oven is plugged into a outlet, the oven will display " 0:00 "

- 1) Press " CLOCK ", the screen will display 00:00 . The hour figure will flash; ":" and other "0" will be lighted.
- 2) Press the number keys and enter the correct time. For example, time is 10:12 now, please press "1,0,1,2 " in turn.
- 3) Press " CLOCK" to finish clock setting. ":" will flash and the clock will be lighted.
- 4) If the numbers input are not within the range of 1:00--12:59, the setting will be invalid until valid numbers are input.

Note: In the process of clock setting, if the "STOP/CANCEL " button is pressed or if there is no operation within 1 minute, the oven will go back to the former state automatically.

3. Kitchen Timer

- 1) Press " KITCHEN TIMER ", the screen will display 00:00 .
- 2) Press the number keys and enter the correct timer. (The maximum time is 99 minutes and 99 seconds)
- 3) Press " START/+30SEC. " to confirm setting .
- 4) When the kitchen time arrives, the buzzer will ring 5 times.
If the clock be set (12-hour system), the screen will display the current time.

Note: 1)The kitchen time is differ from 12-hour system, Kitchen Timer is a timer.

- 2)During timer process, any program cannot be set. Time cannot be increased by pressing "START/+30SEC. " key.

4. Microwave cook

- 1) Press " COOK TIME " once, the screen will display "00:00".
- 2) Press number keys to input the cooking time; the maximum cooking time is 99 minutes and 99 seconds.
- 3) Press " POWER LEVEL " once, the screen will display "PL10". The default power is 100% power. Now you can press number keys to adjust the power level.
- 4) Press " START/+30SEC. " to start cooking.

Example: to cook the food with 50% microwave power for 15 minutes.

- a. Press " COOK TIME " once."00:00" displays.
- b.Press "1", "5", "0", "0" in order.
- c.Press " POWER LEVEL "once, then press "5" to select 50% microwave power.
- d.Press " START/+30SEC. " to start cooking.

Note: In the process of cooking, if the " STOP/CANCEL " button is pressed or if there is no operation within 1 minutes, the oven will go back to the former setting automatically.

5. Speedy Cooking

- 1) In waiting state, instant cooking at 100% power level can be started by select a cooking time from 1 to 6 minutes by pressing number pads1 to 6. Press " START/+30SEC." to increase the cooking time; the maximum cooking time is 99 minutes and 99 seconds.
- 2) In waiting state, instant cooking at 100% power level with 30 seconds' cooking time can be started by pressing " START/+30SEC. ". Each press on the same button will increase cooking time by 30 seconds. the maximum cooking time is 99 minutes and 99 seconds.
- 3) In cooking state, cooking time can be increased by pressing " START/+30SEC." . The maximum cooking time is 99 minutes and 99 seconds.

Note:1) Under microwave and auto menu cooking states, press " START/+30SEC." button to increase cooking time by 30 seconds.

6. 1lb Defrost Function

- 1) Press " 1 lb DEFROST ", the screen will display "1.0".
- 2) Press " START/+30SEC. " to start defrosting and the cooking time remained will be displayed.

7. Sensor Cook

- 1) In waiting state, put the food in the oven, press the menu key in the sensor cook .
- 2) Press " START/+30SEC " to start sensor cook function and no need to set time.
- 3) When the steaming is emanated, the surplus time will display.

The buzzer will sound 5 beeps when finishing. At last, the oven will turn back to the waiting state.

Note:

- 1)When cooking or reheating food, you should do these in order to have the best effect.
 - a.The room temperature cannot be over 35 degrees.
 - b.The weight of food must be more than 110g (4 Oz).
 - c.The cavity, glass tray and utensils must kept drying before putting the food in.
 - d.The reheat food can be covered with the lid. But the lid must has venthole in order to emanate the steam.Sealed utensil is forbidden.
- 2) During cooking process, following points must be done.
 - a.Keep the door close when the surplus time not displays or the buzzer does not sound tiwice.
 - b.When the buzzer sound twice , the time will count down and display the suplus time, you can open the door to mix the food up ,turn over or replace the food. And then go on the next operation.
- 3) Please leave the food alone for a while after cooking have been finished.
- 4) During sensor cooking process, if the time not count down, please do not open the oven door or press " STOP/CANCEL " key. Otherwise,the sensor will make mistakes.

EXAMPLE:Sensor Reheat Menu

- 1) In waiting states, put the food into the microwave oven, press " SENSOR REHEAT " "SC-1" is displayed.
- 2) Press " START/+30SEC " to start sensor reheat function and no need to set time.
- 3) The buzzer will sound 5 beeps when finishing. At last, the oven will turn back to the waiting state.

Note:1) Food to be avoided in sensor reheating.

a. Bread and other dry food, such as biscuit, cake.

b. For raw or uncooked foods.

c. Beverage and frozen food.

2) The oven cannot cook automatically when the temperature of the oven cavity is high.

3) The reheat food can be covered with the lid. But the lid must have a venthole in order to emanate the steam. Sealed utensil is forbidden.

4) During sensor cooking process, please do not open the oven door or press

" STOP/CANCEL " key. Otherwise, the sensor will make mistakes.

5) The sensor reheat has different request for different food.

Casseroles - Add 3 to 4 tablespoons of water, cover with lid or vented plastic wrap.

Stir when time appears in the display window.

Canned foods - Empty contents into casserole dish or serving bowl, cover dish with lid or vented plastic wrap. After reheating, let stand for a few minutes.

Plate of food - Arrange food on plate; top with butter, gravy, etc. Cover with lid or vented plastic wrap. After reheating, let stand for a few minutes.

Sensor Cook Chart

Menu button	Food	Food Code	Weight/Portion
Sensor Reheat	Sensor Reheat	SC-1	8.0~32.0 oz
Frozen Pizza	Frozen Pizza	SC-2	6.0~12.0 oz
Frozen Entrée	Frozen Entrée	SC-3	8.0~32.0 oz
Potato	Potato	SC-4	1~4 potatoes 10.0 oz each
Rice	Rice	SC-5	8.0 oz~ 16.0 oz
Vegetable	Fresh/Frozen Vegetable	SC-6 / SC-7	4.0~16.0 oz

8. POPCORN

- 1) Press "POPCORN" repeatedly until the weight you needed appears in the display, "Oz" light.
For example, press "POPCORN" once, "1.75" displays.
- 2) Press "START/+30SEC." to cook, "Oz" disappears.

Times(Press " POPCORN ")	Weight	Display
Once	1.75 Oz	1.75
Twice	3.0 Oz	3.0
Thrice	3.5 Oz	3.5

9. SOFTEN/MELT

- 1) Press "SOFTEN/MELT" repeatedly until the menu you needed appears in the display.
- 2) After choosing the menu, press a number pad to select the weight or portion of the food.
- 3) Press "START/+30SEC." to cook.

Auto Menu Chart:

Food	Display	Weight/ Portion
Melt-Butter/ Margarine	S-1	1-3 STICKS
Melt-Chocolate	S-2	4 Oz 8 Oz
Melt-Cheese	S-3	8 Oz 16 Oz
Melt-Marshmallows	S-4	5 Oz 10 Oz
Soften-Butter	S-5	1-3 STICKS
Soften-Ice cream/ Frozen juice	S-6	6 Oz 12 Oz 16 Oz
Soften-Cream cheese	S-7	3 Oz 8 Oz

10. MEMORY FUNCTION

- 1) Press "MEMORY" to choose memory 1-3 procedure. 1,2,3 will display.
- 2) If the procedure has been set, press "START/+30SEC." to use it. If not, continue to set the procedure. Only one or two microwave stages can be set.
- 3) After finishing the setting, press "MEMORY" to save the procedure and turn back to the waiting states. If press "START/+30SEC.", it can save and operate the setting.

Example: save one program as memory 2. To cook the food with 80% microwave power for 3 minutes and 20 seconds. Operate the following steps:

- a. In waiting states, press "MEMORY" twice, "2" displays.
- b. Press "COOK TIME", then input number keys "3", "2", "0" to choose the cooking time.
- c. Press "POWER LEVEL" once, then press number button "8", "PL8" displays.
- d. Press "MEMORY" to save the current setting. If press "START/+30SEC.", the cooking program can be operated and save it as memory 2.
- e. To run the saved program, in waiting states, press "MEMORY" twice, "2" displays and press "START/+30SEC." to run the saved cooking program.

Note: Auto menu cannot be set as memory cooking.

11. Multi-section cooking

At most 2 sections can be set for cooking. In multi-section cooking, if one section is defrosting, then defrosting shall be placed in the first section. When the first stage finish, the buzzer will sound once and the next stage will begin cooking.

Example: if you want to cook with 80% microwave power for 5 minutes + 60% microwave power for 10 minutes. The cooking steps are as following.

- 1) Press "COOK TIME" once, then press "5", "0", "0" to set 5 minutes.
- 2) Press "POWER LEVEL" once.
- 3) Press number button "8" to set 80% microwave power.
- 4) Press "COOK TIME" once, then press "1", "0", "0", "0" to set 10 minutes.
- 5) Press "POWER LEVEL" once.
- 6) Then press press number button "6" to set 60% microwave power.
- 7) Press "START/+30SEC." to start cooking.

Note: auto menu cannot be set as one of the multi-section.

12. INQUIRING FUNCTION

- 1) If the clock has been set, in cooking state, press " CLOCK ", the clock will displays for three seconds. After that, the oven will turn back to the clock state.
- 2) In the microwave cooking state, press " POWER LEVEL " to inquire microwave power level the current microwave power will be displayed. After three seconds, the oven will turn back to the previous state.

13. LOCK FUNCTION FOR CHILDREN

Lock: In waiting state, press " STOP/CANCEL " for 3 seconds, there will be a long "beep" denoting the entering into the children-lock state; If the clock has been set, current time will display .

Lock quitting: In locked state, press " STOP/CANCEL " for 3 seconds, there will be a long "beep" denoting that lock is released.

14. COOKING END REMINDING FUNCTION

When the cooking is over, the screen will display "End" and the buzzer sounds 5 "beep" to reminds user the cooking is finished. In order to make the appliance into the normal operating state, please press " STOP/CANCEL " or open the door .

15. OTHER SPECIFICATIONS

- 1) " START/+30SEC. " must be pressed to continue cooking if the door is opened during cooking;
- 2) The buzzer sounds once by efficient press, inefficient press will be no response.

16. ENERGY SAER MODE

- (1) In standby mode, press the "STOP/Cancel" once (less than 3 seconds to avoid starting the child lock function) to enter the Energy Saver mode.
- (2) In child-locked mode, press the "STOP/Cancel" once (less than 3 seconds) and release to enter the Energy Saver Mode.
- (3) Above operation is the only way to start the Energy Saver mode.
- (4) The Energy Saver mode works only if the door is closed.

17. TURN ON/OFF THE UER SOUND

It is default that the buzzer sounds is open. In waiting state, long pressing on number 8 for 3 seconds, it sounds a long beep, turns off the sound.

When the sounds turn off, long pressing on 8 for 3 seconds, it sounds a long beep and the sound turn off. All the buttons has no beep when they are pressed, including the ending cooking sounds is turn off too.

Note: All models has mute function and energy-saved function. This function can work under lock function too.

MAINTENANCE

Troubleshooting

Check your problem by using the chart below and try the solutions for each problem. If the microwave oven still does not work properly, contact the nearest authorized service center

Trouble	Possible Cause	Possible Remedy
Oven will not start	<ul style="list-style-type: none"> a. Electrical cord for oven is not plugged in. b. Door is open. c. Wrong operation is set. 	<ul style="list-style-type: none"> a. Plug into the outlet. b. Close the door and try again. c. Check instructions.
Arcing or sparking	<ul style="list-style-type: none"> a. Materials to be avoided in microwave oven were used. b. The oven is operated when empty. c. Spilled food remains in the cavity. 	<ul style="list-style-type: none"> a. Use microwave-safe cookware only. b. Do not operate with oven empty. c. Clean cavity with wet towel
Unevenly cooked foods	<ul style="list-style-type: none"> a. Materials to be avoided in microwave oven were used. b. Food is not defrosted completely. c. Cooking time, power level is not suitable. d. Food is not turned or stirred. 	<ul style="list-style-type: none"> a. Use microwave-safe cookware only. b. Completely defrost food. c. Use correct cooking time, power level. d. Turn or stir food.
Overcooked foods	Cooking time, power level is not suitable.	Use correct cooking time, power level.
Undercooked foods	<ul style="list-style-type: none"> a. Materials to be avoided in microwave oven were used. b. Food is not defrosted completely. c. Oven ventilation ports are restricted. d. Cooking time, power level is not suitable. 	<ul style="list-style-type: none"> a. Use microwave-safe cookware only. b. Completely defrost food. c. Check to see that oven ventilation ports are not restricted. d. Use correct cooking time, power level.
Improper Defrosting	<ul style="list-style-type: none"> a. Materials to be avoided in microwave oven were used. b. Cooking time, power level is not suitable. c. Food is not turned or stirred. 	<ul style="list-style-type: none"> a. Use microwave-safe cookware only. b. Use correct cooking time, power level. c. Turn or stir food.

ONE YEAR LIMITED WARRANTY

This warranty applies to products purchased and used in the U.S. and Canada.

This is the only expressed warranty for this product and is in lieu of any other warranty or condition.

This product is warranted to be free from defects in material and workmanship for a period of one (1) year from the date of original purchase. This warranty is valid for the original retail purchaser or gift recipient from the date of initial retail purchase and is not transferable.

Keep your original sales receipt as proof of purchase is required to make a warranty claim.

IMPORTANT: This warranty does not cover damages resulting from use not in conformity with the printed directions, accident, misuse or abuse, alternation, the affixing of any attachments not provided with the product, loss of parts, or subjecting the appliance to any but the specified voltage. (Read directions carefully.) This warranty is void if the product is used for other than single-family household use or subjected to any voltage and waveform other than as specified on the rating label (e.g., 120V ~ 60 Hz).

Englewood Marketing LLC excludes all claims for special, incidental, and consequential damages caused by breach of express or implied warranty. All liability is limited to the amount of the purchase price. Every implied warranty, including any statutory warranty or condition of merchantability or fitness for a particular purpose, is disclaimed except to the extent prohibited by law, in which case such warranty or condition is limited to the duration of this written warranty. This warranty gives you specific legal rights. You may have other legal rights that vary depending on where you live. Some states or provinces do not allow limitations on implied warranties or special, incidental, or consequential damages, so the foregoing limitations may not apply to you.

If there are any issues, please send an email to CustomerService@emllc-USA.com. For faster service, please have the model, type and series numbers included in the email. Thank you.

To make a warranty claim or if service is required, please call our CUSTOMER SERVICE NUMBER. For faster service, please have the model, type, and series numbers ready for the operator to assist you.

Customer Service Number
Englewood Marketing LLC
In the US 844-918-0509
Email: CustomerService@emllc-USA.com

FARBERWARE®

