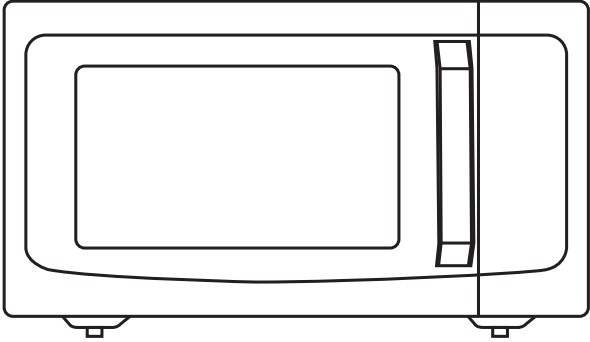


**MICROWAVE OVEN
INSTRUCTION MANUAL
ML-EM45P(BS)**



CONTENTS

PRODUCT SAFETY

IMPORTANT SAFETY INSTRUCTIONS	EN-2
-------------------------------------	------

PRODUCT INTRODUCTION

PRECAUTIONS MICROWAVE ENERGY	EN-3
GROUNDING INSTRUCTIONS	EN-6
MATERIALS YOU CAN USE IN MICROWAVE OVEN	EN-8
MATERIALS CAN NOT BE USED IN MICROWAVE OVEN	EN-9

INSTRUCTION FOR USE

SETTING UP YOUR OVEN	EN-10
OPERATION	EN-12
1. POWER LEVELS	EN-12
2. CLOCK SETTING	EN-12
3. KITCHEN TIMER	EN-12
4. MICROWAVE COOK	EN-13
5. SPEEDY COOKING	EN-13
6. 1 LB DEFROST FUNCTION	EN-13
7. CUSTOM DEFROST FUNCTION.....	EN-14
8. SENSOR COOK	EN-14
9. POPCORN.....	EN-16
10. CUSTOM COOK	EN-16
11. SOFTEN/MELT	EN-16
12. MEMORY FUNCTION	EN-17
13. MULTI-SECTION COOKING.....	EN-17
14. INQUIRING FUNCTION	EN-18
15. LOCK FUNCTION FOR CHILDREN	EN-18
16. COOKING END REMINDING FUNCTION	EN-18
17. OTHER SPECIFICATIONS.....	EN-18
18. TURNTABLE RESET FUNCTION	EN-18
19. SCREEN-OUT FUNCTION	EN-19

MAINTENANCE

TROUBLESHOOTING	EN-20
ONE YEAR LIMITED WARRANTY	EN-21



BEFORE OPERATING THIS PRODUCT,
READ, UNDERSTAND, AND FOLLOW THESE INSTRUCTIONS.
BE SURE TO SAVE THIS BOOKLIST FOR FUTURE REFERENCE

**SAFETY WARNING****IMPORTANT SAFETY INSTRUCTIONS**

When using electrical appliances basic safety precautions should be followed, including the following:

WARNING

To reduce the risk of burns, electric shock, re, injury to persons or exposure to excessive microwave energy:

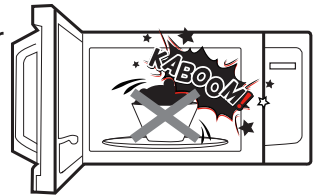
1. Read all instructions before using the appliance.
2. Read and follow the specific: "PRECAUTIONS TO AVOID POSSIBLE EXPOSURE TO EXCESSIVE MICROWAVE ENERGY " found on page EN-5.
3. This appliance must be grounded. Connect only to properly grounded outlet. See "GROUNDING INSTRUCTIONS" found on page EN-6.
4. Install or locate this appliance only in accordance with the provided installation instructions.
5. Some products such as whole eggs and sealed containers - for example, closed glass jars - are able to explode and should not be heated in this oven.
6. Use this appliance only for its intended use as described in the manual. Do not use corrosive chemicals or vapors in this appliance. This type of oven is specifically designed to heat, cook or dry food. It is not designed for industrial or laboratory use.
7. As with any appliance, close supervision is necessary when used by children. damaged cord or plug, if it is not working properly, or if it has been damaged or dropped.



SAFETY WARNING

IMPORTANT SAFETY INSTRUCTIONS

8. Do not operate this appliance if it has a by qualified service personnel. Contact nearest authorized service facility for examination, repair, or adjustment.
9. This appliance should be serviced only
10. Do not cover or block any openings on the appliance.
11. Do not store this appliance outdoors. Do not use this product near water - for example, near a kitchen sink, in a wet basement, near a swimming pool, or similar location.
12. Do not immerse cord or plug in water.
13. Keep cord away from heated surface.
14. Do not let cord hang over edge of table or counter.
15. When cleaning surfaces of door and oven that comes together on closing the door, use only mild, nonabrasive soaps, or detergent applied with a sponge or soft cloth.
16. To reduce the risk of fire in the oven cavity:
 - (1). Do not overcook food. Carefully attend appliance when paper, plastic, or other combustible materials are placed inside the oven to facilitate cooking.
 - (2). Remove wire twist-ties from paper or plastic bag before placing bag in oven.
 - (3). If material inside of the oven ignites, keep oven door closed, turn oven off, and disconnect the power cord, or shut off power at the fuse or circuit breaker panel.
 - (4). Do not use the cavity for storage purposes. Do not leave paper products, cooking utensils, or food in the cavity when not in use.



**SAFETY WARNING****IMPORTANT SAFETY INSTRUCTIONS**

17. Liquids, such as water, coffee, or tea are able to be overheated beyond the boiling point without appearing to be boiling. Visible bubbling or boiling when the container is removed from the microwave oven is not always present.

THIS COULD RESULT IN VERY HOT LIQUID SUDDENLY BOILING OVER WHEN THE CONTAINER IS DISTURBED OR A UTENSIL IS INSERTED INTO THE LIQUID.

To reduce the risk of injury to persons:

- (1) Do not overheat the liquid.
 - (2) Stir the liquid both before and halfway through heating it.
 - (3) Do not use straight-sided containers with narrow necks.
 - (4) After heating, allow the container to stand in the microwave oven for a short time before removing the container.
 - (5) Use extreme care when inserting a spoon or other utensil into the container.
18. As with any appliance, close supervision is necessary when the microwave oven is used by children.
19. If material inside of the oven should ignite, the oven door should be kept closed, the appliance turned off, the power cord disconnected, or the power shut off at the fuse or circuit breaker panel.

SAVE THESE INSTRUCTIONS

PRECAUTIONS TO AVOID POSSIBLE EXPOSURE TO EXCESSIVE MICROWAVE ENERGY

- (a) Do not attempt to operate this oven with the door open since open door operation can result in harmful exposure to microwave energy.
It is important not to defeat or tamper with the safety interlocks.
- (b) Do not place any object between the oven front face and the door or allows soil or cleaner residue to accumulate on sealing surfaces.
- (c) Do not operate the oven if it is damaged. It is particular important that the oven door close properly and that there is no damage to the:
 - (1) DOOR (bent)
 - (2) HINGES AND LATCHES (broken or loosened)
 - (3) DOOR SEALS AND SEALING SURFACES
- (d) The oven should not be adjusted or repaired by anyone except properly qualified service personnel.

SPECIFICATIONS

Model:	ML-EM45P(BS)
Rated Voltage:	120V~ 60Hz
Rated Input Power(Microwave):	1600W
Rated Output Power(Microwave):	1200W
Oven Capacity:	45L
Turntable Diameter:	Φ 13.58 inch
External Dimensions:	21.77x17.91x12.87 inch
Net Weight:	Approx. 36.6lbs

GROUNDING INSTRUCTIONS

This appliance must be grounded. In the event of an electrical short circuit, grounding reduces the risk of electric shock by providing an escape wire for the electric current. This appliance is equipped with a cord having a grounding wire with a grounding plug. The plug must be plugged into an outlet that is properly installed and grounded.

WARNING- Improper use of the grounding can result in a risk of electric shock.

Consult a qualified electrician or serviceman if the grounding instructions are not completely understood, or if doubt exists as to whether the appliance is properly grounded.

If it is necessary to use an extension cord, use only a 3-wire extension cord that has a 3-blade grounded plug, and 3-slot receptacle that will accept the plug on the appliance.

The marked rating of the extension cord shall be equal to or greater than the electrical rating of the appliance.

DANGER - Electric Shock Hazard

Touching some of the internal components can cause serious personal injury or death. Do not disassemble this appliance.

WARNING- Electric Shock Hazard

Improper use of the grounding can result in electric shock.

Do not plug into an outlet until appliance is properly installed and grounded.

1. A short power supply cord is provided to reduce the risks resulting from becoming entangled in or tripping over a longer cord.
2. Longer cord sets or extension cords are available and may be used if care is exercised in their use.
3. If a long cord or extension cord is used:
 - (1) The marked electrical rating of the cord set or extension cord should be at least as great as the electrical rating of the appliance.

GROUNDING INSTRUCTIONS

- (2) The extension cord must be a grounding-type 3-wire cord.
- (3) The longer cord should be arranged so that it will not drape over the counter top or tabletop where it can be pulled on by children or tripped over unintentionally.

RADIO INTERFERENCE

1. Operation of the microwave oven may cause interference to your radio, T V or similar equipment.
2. When there is interference, it may be reduced or eliminated by taking the following measures:
 - 1) Clean door and sealing surface of the oven
 - 2) Reorient the receiving antenna of radio or television.
 - 3) Relocate the microwave oven with respect to the receiver.
 - 4) Move the microwave oven away from the receiver.
 - 5) Plug the microwave oven into a different outlet so that microwave oven and receiver are on different branch circuits.

UTENSILS

CAUTION - Personal Injury Hazard
Tightly-closed utensils could explode. Closed containers should be opened and plastic pouches should be pierced before cooking. See the instructions on "Materials you can use in microwave oven or to be avoided in microwave oven."

There may be certain non-metallic utensils that are not safe to use for microwaving. If in doubt, you can test the utensil in question following the procedure below.

Utensil Test:

1. Fill a microwave-safe container with 1 cup of cold water (250ml) along with the utensil in question.
2. Cook on maximum power for 1 minute.
3. Carefully feel the utensil. If the empty utensil is warm, do not use it for microwave cooking.
4. Do not exceed 1 minute cooking time.

MATERIALS YOU CAN USE IN MICROWAVE OVEN

UTENSILS	REMARKS	
Browning dish	Follow manufacturer's instructions. The bottom of browning dish must be at least 3/16 inch (5mm) above the turntable. Incorrect usage may cause the turntable to break.	✓
Dinnerware	Microwave-safe only. Follow manufacturer's instructions. Do not use cracked or chipped dishes.	✓
Glass jars	Always remove lid. Use only to heat food until just warm. Most glass jars are not heat resistant and may break.	✓
Glassware	Heat-resistant oven glassware only. Make sure there is no metallic trim. Do not use cracked or chipped dishes.	✓
Oven cooking bags	Follow manufacturer's instructions. Do not close with metal tie. Make slits to allow steam to escape.	✓
Paper plates and cups	Use for short-term cooking/warming only. Do not leave oven unattended while cooking.	✓
Paper towels	Use to cover food for reheating and absorbing fat. Use with supervision for a short-term cooking only.	✓
Parchment paper	Use as a cover to prevent splattering or a wrap for steaming.	✓
Plastic	Microwave-safe only. Follow the manufacturer's instructions. Should be labeled "Microwave Safe". Some plastic containers soften, as the food inside gets hot. "Boiling bags" and tightly closed plastic bags should be slit, pierced or vented as directed by package.	✓
Plastic wrap	Microwave-safe only. Use to cover food during cooking to retain moisture. Do not allow plastic wrap to touch food.	✓
Thermometers	Microwave-safe only (meat and candy thermometers).	✓
Wax paper	Use as a cover to prevent splattering and retain moisture.	✓

MATERIALS TO BE AVOIDED IN MICROWAVE OVEN

UTENSILS	REMARKS	
Aluminum tray	May cause arcing. Transfer food into microwave-safe dish.	✗
Food carton with metal handle	May cause arcing. Transfer food into microwave-safe dish.	✗
Metal or metal-trimmed utensils	Metal shields the food from microwave energy. Metal trim may cause arcing.	✗
Metal twist ties	May cause arcing and could cause a fire in the oven.	✗
Paper bags	May cause a fire in the oven.	✗
Plastic foam	Plastic foam may melt or contaminate the liquid inside when exposed to high temperature.	✗
Wood	Wood will dry out when used in the microwave oven and may split or crack.	✗

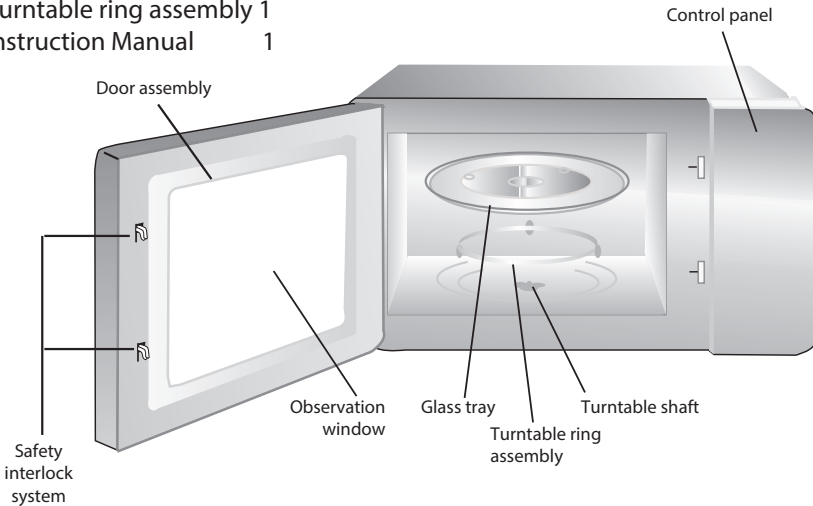
SETTING UP YOUR OVEN

NAMES OF OVEN PARTS AND ACCESSORIES

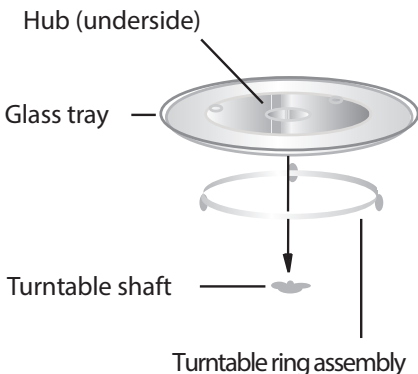
Remove the oven and all materials from the carton and oven cavity.

Your oven comes with the following accessories:

Glass tray	1
Turntable ring assembly	1
Instruction Manual	1



Turntable Installation



- Never place the glass tray upside down. The glass tray should never be restricted.
- Both glass tray and turntable ring assembly must always be used during cooking.
- All food and containers of food are always placed on the glass tray for cooking.
- If glass tray or turntable ring assembly cracks or breaks, contact your nearest authorized service center.

SETTING UP YOUR OVEN

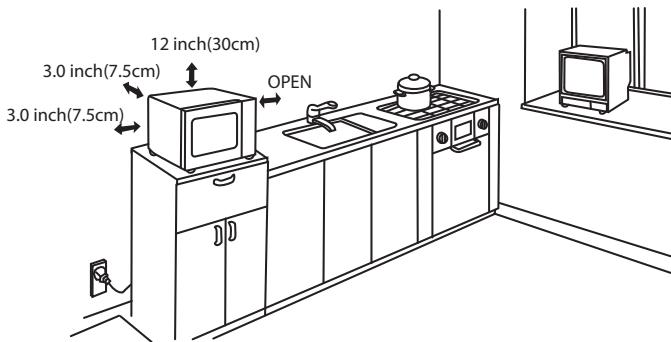
COUNTERTOP INSTALLATION

Remove all packing material and accessories. Examine the oven for any damage such as dents or broken door. Do not install if oven is damaged.

Cabinet: Remove any protective film found on the microwave oven cabinet surface. Do not remove the light brown Mica cover that is attached to the oven cavity to protect the magnetron.

INSTALLATION

1. Select a level surface that provide enough open space for the intake and/or outlet vents.



A minimum clearance of 3.0 inches (7.5cm) is required between the oven and any adjacent walls. One side must be open.

- (1) Leave a minimum clearance of 12 inches (30cm) above the oven.
- (2) Do not remove the legs from the bottom of the oven.
- (3) Blocking the intake and/or outlet openings can damage the oven.
- (4) Place the oven as far away from radios and TV as possible.

Operation of microwave oven may cause interference to your radio or TV reception.

2. Plug your oven into a standard household outlet. Be sure the voltage and the frequency is the same as the voltage and the frequency on the rating label.



Do not install oven over a range cooktop or other heat-producing appliance. If installed near or over a heat source, the oven could be damaged and the warranty would be void.

OPERATION

1. Power Level

Ten power levels are available.

Number key	0	9	8	7	6	5	4	3	2	1
Level	10	9	8	7	6	5	4	3	2	1
Power	100%	90%	80%	70%	60%	50%	40%	30%	20%	10%
Display	PL10	PL9	PL8	PL7	PL6	PL5	PL4	PL3	PL2	PL1

2. Clock Setting

When the microwave oven is plugged into a outlet, the oven will display " 0:00 "

- Press " CLOCK ", the screen will display 00:00 . The hour gure will flash; ":" and other "0" will be lighted.
- Press the number keys and enter the correct time. For example,time is 10:12 now, please press " 1,0,1,2 " in turn.
- Press " CLOCK " to finish clock setting. ":" will flash and the clock will be lighted.
- If the numbers input are not within the range of 1:00--12:59, the setting will be invalid until valid numbers are input.

NOTE

In the process of clock setting, if the " STOP/CANCEL " button is pressed or if there is no operation within 1 minute, the oven will go back to the former state automatically.

3. Kitchen Timer

- Press " KITCHEN TIMER ", the screen will display 00:00 .
- Press the number keys and enter the correct timer. (The maximum time is 99 minutes and 99 seconds)
- Press " START/30SEC. " to confirm setting.
- When the kitchen time arrives, the buzzer will ring 5 times.
If the clock be set (12-hour system), the screen will display the current time by counting down.

NOTE

- The kitchen time is differfrom 12-hour system,Kitchen Timer is a timer. That is to say it pocesesses the function of alarming clock.
- During timer process,any program cannot be set. Time cannot be increased by pressing " START/30SEC. " key.

OPERATION

4. Microwave cook

- a. Press " COOK TIME " once, the screen will display "00:00".
- b. Press number keys to input the cooking time; the maximum cooking time is 99 minutes and 99 seconds.
- c. Press " POWER LEVEL " once, the screen will display "PL10". The default power is 100% power. Now you can press number keys to adjust the power level.
- d. Press " START/30SEC. " to start cooking.
Example: to cook the food with 50% microwave power for 15 minutes.
 - Press " COOK TIME " once."00:00" displays.
 - Press "1","5","0","0" in order.
 - Press " POWER LEVEL "once,then press "5" to select 50% microwave power.
 - Press " START/30SEC. " to start cooking.

NOTE

In the process of cooking, if the " STOP/CANCEL " button is pressed or if there is no operation within 1 minutes, the oven will go back to the former setting automatically.

5. Speedy Cooking

- a. In waiting state, instant cooking at 100% power level can be started by select a cooking time from 1 to 6 minutes by pressing number pads1 to 6.
- b. In waiting state, instant cooking at 100% power level with 30 seconds' cooking time can be started by pressing " START/30SEC ". Each press on the same button will increase cooking time by 30 seconds. the maximum cooking time is 99 minutes and 99 seconds.

NOTE

Under microwave and auto menu cooking states, press " START/30SEC " button to increase cooking time by 30 seconds

6. 1 lb Defrost Function

- a. Press " 1 lb DEFROST ", the screen will display "1.0".
- b. Press " START/30SEC. " to start defrosting and the cooking time remained will be displayed.

OPERATION

7. Custom Defrost Function

- a. Press " AUTO DEFROST " once, the screen will display "dEF1". Press "AUTO DEFROST " repeatedly to choose "dEF1","dEF2" or "dEF3".
- b. Press number button to set the weight of food.
- c. Press " START/30SEC. " to start defrosting and the cooking time remained will be displayed.

8. Sensor Cook

- a. In waiting state, put the food in the oven, press the menu key in the sensor cook.
- b. Press " START/30SEC. " to start sensor cook function and no need to set time.
- c. When the steaming is emanated, the surplus time will display.
The buzzer will sound 5 beeps when finishing. At last, the oven will turn back to the waiting state.

NOTE

- When cooking or reheating food, you should do these in order to have the best effect.
 - a. The room temperature cannot be over 35 degrees.
 - b. The weight of food must be more than 110g (4 Oz).
 - c. The cavity,glass tray and utensils must kept drying before putting the food in.
 - d. The reheat food can be covered with the lid.But the lid must has venthole in order to emanate the steam.Sealed utensil is forbidden.
- During cooking process, following points must be done.
 - a. Keep the door close when the surplus time not displays or the buzzer does not sound twice.
 - b. When the buzzer sound twice , the time will count down and display the suplus time, you can open the door to mix the food up , turn over or replace the food. And then go on the next operation.
- Please leave the food alone for a while after cooking have been finished.
- During sensor cooking process, if the time not count down,please do not open the oven door or press " STOP/CANCEL " key. Otherwise, the sensor will make mistakes.

OPERATION

EXAMPLE:Sensor Reheat Menu

- a. In waiting states, put the food into the microwave oven , press "SENSOR REHEAT " "SC-1" is displayed.
- b. Press "START/30SEC " to start sensor reheat function and no need to set time.
- c. The buzzer will sound 5 beeps when finishing. At last, the oven will turn back to the waiting state.

NOTE

- Food to be avoided in sensor reheating.
 - a. Bread and other dry food, such as biscuit, cake.
 - b. For raw or uncooked foods.
 - c. Beverage and frozen food.
- The oven cannot cook automatically when the temperature of the oven cavity is high.
- The reheat food can be covered with the lid. But the lid must have a venthole in order to emanate the steam. Sealed utensil is forbidden.
- During sensor cooking process, please do not open the oven door or press "STOP/CANCEL" key. Otherwise, the sensor will make mistakes.
- The sensor reheat has different request for different food.

Casseroles- Add to 4 tablespoons of water, cover with lid or vented plastic wrap. Stir when time appears in the display window.

Canned foods-Empty contents into casserole dish or serving bowl, cover dish with lid or vented plastic wrap. After reheating, let stand for a few minutes.

Plate of food- Arranged food on plate; top with butter, gravy, etc. Cover with lid or vented plastic wrap. After reheating, let stand for a few minutes.

Sensor Cook Chart.

Menu button	Food	Food Code	Weight/ Portion
Sensor Reheat	Sensor Reheat	SC-1	8.0~32.0 oz
Frozen Pizza	Frozen Pizza	SC-2	6.0~12.0 oz
Frozen Entrée	Frozen Entrée	SC-3	8.0~32.0 oz
Potato	Potato	SC-4	1~4 potatoes 8.0 oz each
Rice	Rice	SC-5	8.0~16.0 oz
Vegetable	Fresh Vegetable	SC-6	4.0~16.0 oz
Vegetable	Frozen Vegetable	SC-7	4.0~16.0 oz

OPERATION

9. POPCORN

a. In standby mode, press the Popcom button and the display displays the default amount of popcorn.

For example, press "POPCORN" once, "3.5" displays.

b. Press "START/30SEC." "START" sign extinguished.

10. CUSTOM COOK

a. Press "AUTO/COOK" repeatedly until the menu you needed appears in the display.

b. After choosing the menu, press a number pad to select the weight or portion of the food.

c. Press "START/30SEC." to cook.

Food	Display	Weight/ Portion
Bacon	CC-1	2-6 SLICES
Frozen roll/ Muin-reheat	CC-2	1-6 PIECES
Beverage	CC-3	1 CUP/ 2 CUPS
Chicken Pieces	CC-4	0.5-2.0 LB
Oatmeal (with milk)	CC-5	20 Oz / 40 Oz

11. SOFTEN/MELT

a. Press "SOFTEN/MELT" repeatedly until the menu you needed appears in the display.

b. After choosing the menu, press a number pad to select the weight or portion of the food.

c. Press "START/30SEC." to cook.

Auto Menu Chart:

Food	Display	Weight/ Portion
Melt-Butter / Margarine	S-1	1-3 STICHS
Melt-Chocolate	S-2	4 Oz / 8 Oz
Melt-Cheese	S-3	8 Oz / 16 Oz
Melt-Marshmallows	S-4	5 Oz / 10 Oz
Soften-Butter	S-5	1-3 STICHS
Soften-Ice cream/ Frozen juice	S-6	11 Oz / 18 Oz
Soften-Cream cheese	S-7	3 Oz / 8 Oz

OPERATION

12. MEMORY FUNCTION

- a. Press "MEMORY" to choose memory 1-3 procedure. 1,2,3 will display.
- b. If the procedure has been set, press " START/30SEC. " to use it. If not, continue to set the procedure. Only one or two microwave stages can be set.
- c. After finishing the setting, press "MEMORY" to save the procedure and turn back to the waiting states. If press " START/30SEC. " , it can save and operate the setting.

Example: save one program as memory 2. To cook the food with 80% microwave power for 3 minutes and 20 seconds. Operate the following steps:

- a. In waiting states, press "MEMORY" twice, "2" displays.
- b. Press "COOK TIME", then input number keys "3", "2", "0" to choose the cooking time.
- c. Press "POWER LEVEL" once, then press number button "8", "PL8" displays.
- d. Press " MEMORY " to save the current setting. If press " START/30SEC. ", the cooking program can be operated and save it as memory 2.
- e. To run the saved program, in waiting states, press " MEMORY " twice, "2" displays and press "START/30SEC." to run the saved cooking program.

NOTE Auto menu cannot be set as memory cooking.

13. Multi-section cooking

At most 2 sections can be set for cooking. In multi-section cooking, if one section is defrosting, then defrosting shall be placed in the first section. When the first stage finish, the buzzer will sound once and the next stage will begin cooking.

Example: if you want to cook with 80% microwave power for 5 minutes + 60% microwave power for 10 minutes. The cooking steps are as following.

- a. Press " COOK TIME" once, then press "5", "0", "0" to set 5 minutes.
- b. Press " POWER LEVEL" once.
- c. Press number button "8" to set 80% microwave power.
- d. Press " COOK TIME" once, then press "1", "0", "0", "0" to set 10 minutes.
- e. Press " POWER LEVEL" once.
- f. Then press press number button "6" to set 60% microwave power.
- g. Press " START/30SEC. " to start cooking.

NOTE Auto menu cannot be set as one of the multi-section.

OPERATION

14. INQUIRING FUNCTION

- a. If the clock has been set, in cooking state, press " CLOCK", the clock will displays for three seconds. After that, the oven will turn back to the clock state.
- b. In the microwave cooking state, press " POWER LEVEL" to inquire microwave power level the current microwave power will be displayed. After three seconds, the oven will turn back to the previous state.

15. LOCK FUNCTION FOR CHILDREN

Lock: In waiting state, press " STOP/CANCEL" for 3 seconds, there will be a long "beep" denoting the entering into the children-lock state; If the clock has been set, current time will display.

Lock quitting: In locked state, press " STOP/CANCEL" for 3 seconds, there will be a long "beep" denoting that lock is released.

16. COOKING END REMINDING FUNCTION

When the cooking is over, the screen will display "End" to reminds user the cooking is finished. In order to make the appliance into the normal operating state, please press " STOP / CANCEL " or open the door .

17. OTHER SPECIFICATIONS

- a. " START/30SEC. " must be pressed to continue cooking if the door is opened during cooking.
- b. The buzzer sounds once by efficient press, ine cient press will be no response.

18. TURNTABLE RESET FUNCTION

When cooking finished, if the turntable is not at the initial position, it will enter the turntable reset function. At this time, the lamp, fan and turntable are working, "🕒" will dynamic display. After the turntable has reset, the oven stops cooking and reminds cooking is finished.

- a. This function only works for one completed cooking. If pause or open the oven door during cooking, the current cooking cannot enter the turntable reset function.
- b. In waiting state, press number key "5" for 3 seconds, there will be a long "beep" and the turntable reset function is turned off. To turn on the turntable reset function, in waiting state press number key "5" for 3 seconds, there will be a long "beep" denoting that turntable reset function is released.

OPERATION

NOTE

- Under the reset state, opening the door or " STOP/Cancel " button is pressed, the oven will go back to waiting state.
- The function will be reserved after power loss.

19. SCREEN-OUT FUNCTION

- a. In standby, click the " STOP/Cancel " key(less than 3 seconds, and lift the button to respond, because " STOP/Cancel " has already attached 3 seconds long pressing the child lock event, so you must click and lift to respond) into the black screen save electricity mode.
- b. Under the child lock, click the " STOP/Cancel " key(less than 3 seconds, and lift).
- c. Other modes other than the above can not enter the power saving mode, and can not enter the black screen power saving mode under the opening state.

TROUBLESHOOTING

Check your problem by using the chart below and try the solutions for each problem. If the microwave oven still does not work properly, contact the nearest authorized service center.

TROUBLE	POSSIBLE CAUSE	POSSIBLE REMEDY
Oven will not start	<ul style="list-style-type: none"> a. Electrical cord for oven is not plugged in. b. Door is open. c. Wrong operation is set. 	<ul style="list-style-type: none"> a. Plug into the outlet. b. Close the door and try again. c. Check instructions.
Arcing or sparking	<ul style="list-style-type: none"> a. Materials to be avoided in microwave oven were used. b. The oven is operated when empty. c. Spilled food remains in the cavity. 	<ul style="list-style-type: none"> a. Use microwave-safe cookware only. b. Do not operate with oven empty. c. Clean cavity with wet towel.
Unevenly cooked foods	<ul style="list-style-type: none"> a. Materials to be avoided in microwave oven were used. b. Food is not defrosted completely. c. Cooking time, power level is not suitable. d. Food is not turned or stirred. 	<ul style="list-style-type: none"> a. Use microwave-safe cookware only. b. Completely defrost food. c. Use correct cooking time, power level. d. Turn or stir food.
Overcooked foods	<ul style="list-style-type: none"> Cooking time, power level is not suitable. 	<ul style="list-style-type: none"> Use correct cooking time, power level.
Undercooked foods	<ul style="list-style-type: none"> a. Materials to be avoided in microwave oven were used. b. Food is not defrosted completely. c. Oven ventilation ports are restricted. d. Cooking time, power level is not suitable. 	<ul style="list-style-type: none"> a. Use microwave-safe cookware only. b. Completely defrost food. c. Check to see that oven ventilation ports are not restricted. d. Use correct cooking time, power level.
Improper defrosting	<ul style="list-style-type: none"> a. Materials to be avoided in microwave oven were used. b. Cooking time, power level is not suitable. c. Food is not turned or stirred. 	<ul style="list-style-type: none"> a. Use microwave-safe cookware only. b. Use correct cooking time, power level. c. Turn or stir food.

ONE YEAR LIMITED WARRANTY

This product carries a warranty stating that it will be free from defects in material and workmanship for a period of one year from the date of purchase. This warranty is valid for the original retail purchaser from the date of initial retail purchase and is not transferable. Keep your original sales receipt.

IMPORTANT:

1. This warranty does not cover damages resulting from accident, misuse or abuse, lack of reasonable care, the affixing of any attachments not provided with the product, loss of parts, or subjecting the appliance to any but the specified voltage. (Read directions carefully.)
2. This warranty is void if this product is ever used for other than private household purposes.
3. This warranty is void if this product is ever used outside of United State.

If service is required during the warranty period, properly pack your unit. We recommend using the original carton and packing materials.

If additional assistance is needed, please contact customer assistance at:

customercare@us.toshiba-lifestyle.com
855-204-5313
Midea America Corp
5 Sylvan Way,
Parsippany, NJ 07054

Midea America Corp. expressly disclaims all responsibility for consequential damages or incidental losses caused by use of the appliance. Some states do not allow this exclusion or limitation of incidental or consequential losses so the foregoing disclaimer may not apply to you. This warranty gives you specific legal rights, and you may also have other rights which may vary from state to state.

The serial number can be found on the back cabinet. We suggest that you record the serial number of your unit in the space below for future reference

Model Number: _____

Serial Number: _____

SAVE THIS FOR YOUR RECORDS

Made in China

Customer Assistance: 855-204-5313
Midea America Corp
5 Sylvan Way, Parsippany, NJ 07054